

**SERVICE PARTS CATALOGUE  
LISTE DE PIECES DE RECHANGE  
ERSATZTEILLISTE  
CATALOGO RICAMBIO  
ONDERDELENLIJST**

**SPERRY  NEW HOLLAND**

**MERCEDES-BENZ ENGINES  
TYPE OM 352/900.000  
352/900.021  
352A/900.421 (Turbo)**

**ISSUE 497032**

**SERVICE PARTS CATALOGUE  
LISTE DE PIECES DE RECHANGE  
ERSATZTEILLISTE  
CATALOGO PEZZI DI RICAMBIO  
ONDERDELENLIJST**

**MERCEDES-BENZ ENGINES  
TYPE OM 352/900.000  
352/900.021  
352A/900.421(Turbo)**

REPLACES ISSUE  
REPLACE EDITION  
ERSETZT AUSGABE  
SOSTITUISCE EDIZIONE  
VERVANGT UITGAVE

496887 - 496969 - 497021 (352/900.021)

**ISSUE 497032**

**SPERRY  NEW HOLLAND**

B-8210 ZEDELGEM — BELGIÉ  
TEL. : 050/20 00 20  
Telegr.: NEWHOLZED  
Telex: 81127 & 81377  
© 1983 SPERRY N.V.



## CONTENTS

	000	Group 021	421
Cylinder head and valve cover .....	1	1	1
Cylinder block .....	2	2	2
Crankshaft — Connecting rods — Pistons .....	3	3	3
Timing .....	4	4	4
Oil pump .....	5	5	5
Oil filter .....	6	6	6
Oil cooling .....	7	7	7
Manifolds .....	8	8	—
Turbo charger — Manifolds .....	—	—	9
Fuel filter .....	10	10	10
Fuel injection pump assembly — Fuel lines .....	11	11	11
Fuel injection pump .....	12	12	12
Pump drive — Fuel lift pump .....	13	13	13
Water pump — Cooling .....	14	14	14
Starter motor .....	15	15	15
Index .....	98	98	98

## TABLE DES MATIERES

Culasse et couvercle de culasse .....	1	1	1
Bloc — cylindres .....	2	2	2
Villebrequin — Bielles — Pistons .....	3	3	3
Distribution .....	4	4	4
Pompe à huile .....	5	5	5
Filtre à huile .....	6	6	6
Echangeur de temperature .....	7	7	7
Collecteurs .....	8	8	8
Turbocompresseur — Collecteurs .....	—	—	9
Filtre à carburant .....	10	10	10
Pompe d'injection (complète) — Canalisations d'injection .....	11	11	11
Pompe d'injection .....	12	12	12
Commande de pompe — Pompe d'alimentation .....	13	13	13
Pompe à eau — refroidissement .....	14	14	14
Démarrreur .....	15	15	15
Index .....	98	98	98

## INHALT

Zylinderkopf und Ventildeckel .....	1	1	1
Zylinderblock .....	2	2	2
Kurbelwelle — Pleuelstangen — Kolben .....	3	3	3
Steuerung .....	4	4	4
Ölpumpe .....	5	5	5
Ölfilter .....	6	6	6
Wärmetauscher .....	7	7	7
Sammelrohre .....	8	8	8
Turbolader .....	—	—	9
Kraftstofffilter .....	10	10	10
Einspritzpumpe (komplett) — Einspritzleitungen .....	11	11	11
Einspritzpumpe .....	12	12	12
Pumpe Antriebe .....	13	13	13
Wasserpumpe — Motorkühlung .....	14	14	14
Anlasser .....	15	15	15
Index .....	98	98	98

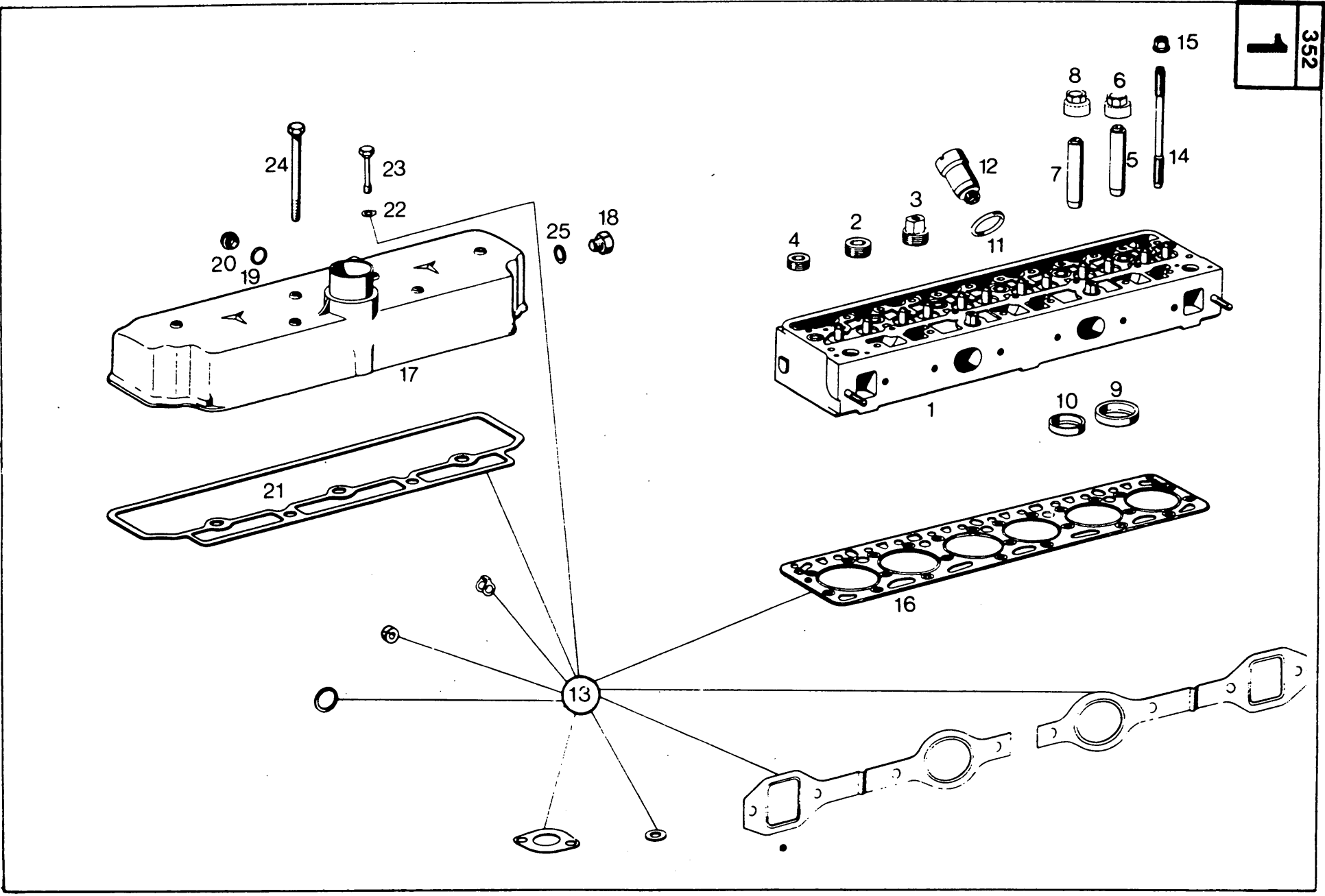
## INDICE

	000	Group 021	421
Testa dei cilindri e coperchi .....	1	1	1
Basamento .....	2	2	2
Albero ad eccentrici — Bielle — Stantuffo .....	3	3	3
Distribuzione .....	4	4	4
Pompa olio .....	5	5	5
Filtro olio .....	6	6	6
Scambiatore di calore .....	7	7	7
Collettori .....	8	8	—
Turbocompressore — Collettori .....	—	—	9
Filtro carburante .....	10	10	10
Pompa iniezione (complessa) — Tubazioni per iniezione .....	11	11	11
Pompa iniezione .....	12	12	12
Pompa comando — Pompa alimentazione .....	13	13	13
Pompa acqua — Raffreddamento motore .....	14	14	14
Motorino d'avviamento .....	15	15	15
Indice .....	98	98	98

## INHOUD

Cilinderkop en kleppendecksel .....	1	1	1
Cilinderblok .....	2	2	2
Krukas — Drijfstang — Zuigers .....	3	3	3
Distributie .....	4	4	4
Oliepomp .....	5	5	5
Oliefilter .....	6	6	6
Oliekoeler .....	7	7	7
Spruitstukken .....	8	8	8
Turbocompressor — Spruitstukken .....	—	—	9
Brandstoffilter .....	10	10	10
Injectiepomp (compleet) — Injectieleidingen .....	11	11	11
Injectiepomp .....	12	12	12
Pompaandrijving — Brandstofpomp .....	13	13	13
Waterpomp — Motorkoeling .....	14	14	14
Starter .....	15	15	15
Index .....	98	98	98

NOTES



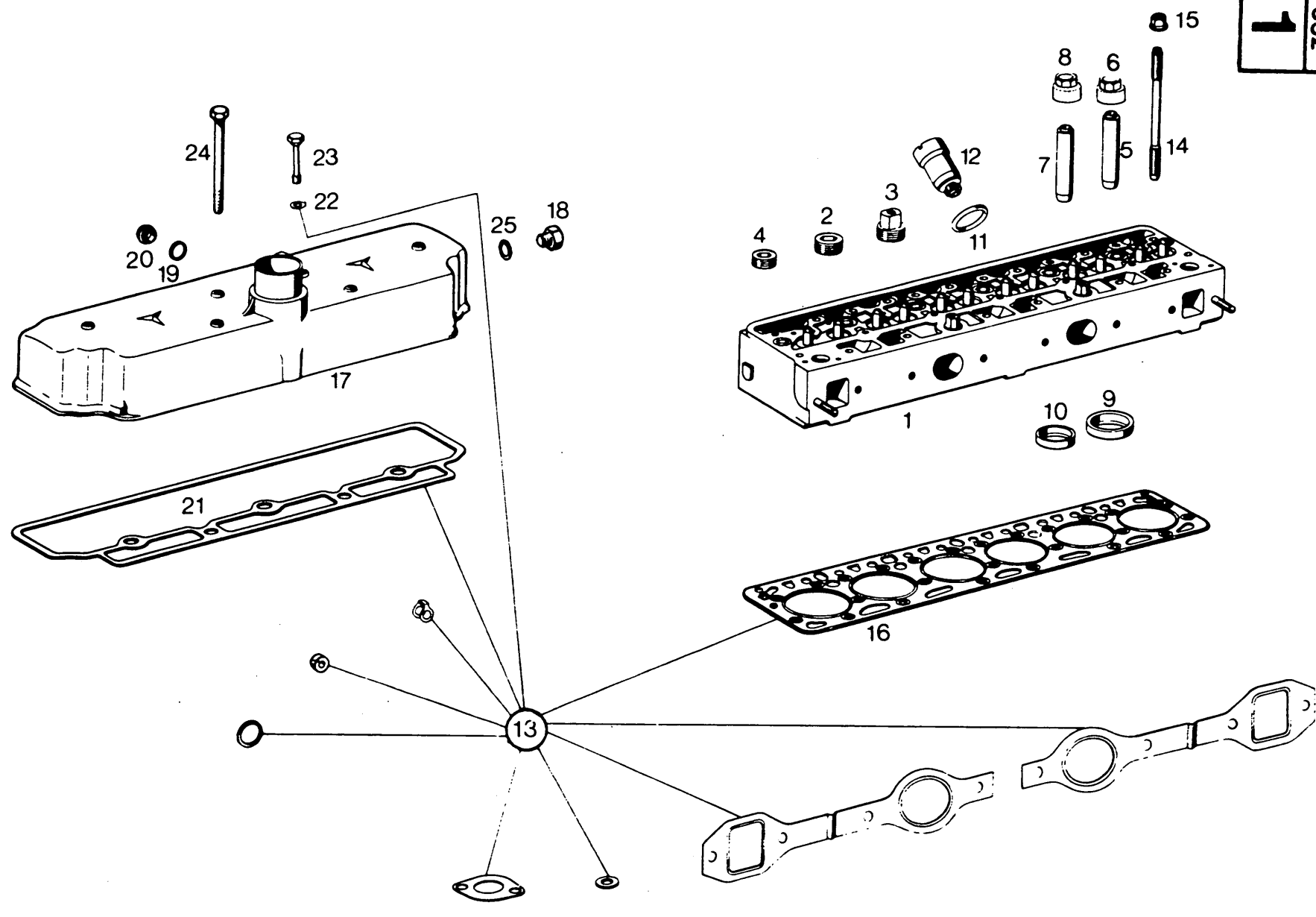
CYLINDER HEAD AND VALVE COVER  
 CULASSE ET COUVERCLE DE CULASSE  
 ZYLINDERKOPF UND VENTILDECKEL  
 TESTA DEI CILINDRI E COPERCHI  
 CILINDERKOP EN KLEPPENDEKSEL

Fig.	Mercedes Part no.	Qty.			Description	N.B.
		0	0	4		
		0	2	2		
		0	1	1		
1	352 010 76 20	1	1		Cylinder head	
	352 010 06 21			1	Cylinder head	
2	000906 030003	5	5	5	Plug	
3	312 016 00 61	2	2	2	Plug	
4	352 997 00 32	2	2	2	Plug	
5	352 053 12 29	6	6	6	Valve guide	Ø 15 mm normal
	352 053 13 29	6	6	6	Valve guide inlet	Ø 15,10 mm
	352 053 14 29	6	6	6	Valve guide inlet	Ø 15,20 mm
	352 053 15 29	6	6	6	Valve guide inlet	Ø 15,50 mm
6	352 053 02 96	6	6	6	Cap inlet	
7	352 053 20 30	6	6	6	Valve guide exhaust	Ø 15 mm normal
	352 053 21 30	6	6	6	Valve guide exhaust	Ø 15,1 mm
	352 053 22 30	6	6	6	Valve guide exhaust	Ø 15,2 mm
	352 053 23 30	6	6	6	Valve guide exhaust	Ø 15,5 mm
8	352 053 00 96	6	6	6	Cap exhaust	
9	352 053 16 31	6	6		Valve seat inlet	Ø 45,07 mm normal
	352 053 17 31	6	6		Valve seat inlet	Ø 45,37 mm
	352 053 18 31	6	6		Valve seat inlet	Ø 45,57 mm
	352 053 35 31			6	Valve seat inlet	Ø 45,8 mm normal
	352 053 36 31			6	Valve seat inlet	Ø 46,1 mm
10	352 053 00 32	6	6		Valve seat exhaust	Ø 38 mm normal
	352 053 01 32	6	6		Valve seat exhaust	Ø 38,30 mm
	352 053 02 32	6	6		Valve seat exhaust	Ø 38,50 mm
	352 053 15 32			6	Valve seat exhaust	Ø 38,07 mm normal
	352 053 16 32			6	Valve seat exhaust	Ø 38,37 mm
11	346 997 04 45	6	6	6	Seal ring	
12	352 017 00 53	6	6	6	Protective sleeve	
13	352 010 21 80	6	6	6	Gasket kit	
14	352 990 42 01	25	25	25	Stud	Up to eng. no. 706241
	352 990 42 01	23	23	23	Stud	From eng. no. 706242
	352 990 43 01	2	2	2	Stud	From eng. no. 706242
15	315 038 00 72	25	25	25	Nut	Up to eng. no. 678154
16	352 016 13 20	1	1		Cyl. head gasket	
	352 016 15 20			1	Cyl. head gasket	
17	352 010 59 30				Cyl. head cover	
	352 010 75 30		1	1	Cyl. head cover	
18	000906 010000	1	1	1	Plug	
19	007603 022402	1	1	1	Seal ring	
20	007604 022102	1	1	1	Plug	
21	352 016 04 21	1	1	1	Gasket	
22	007603 008403	6	6	6	Seal ring	
23	352 990 06 19	4	4	4	Hex. cap screw	

GROUP

1





4

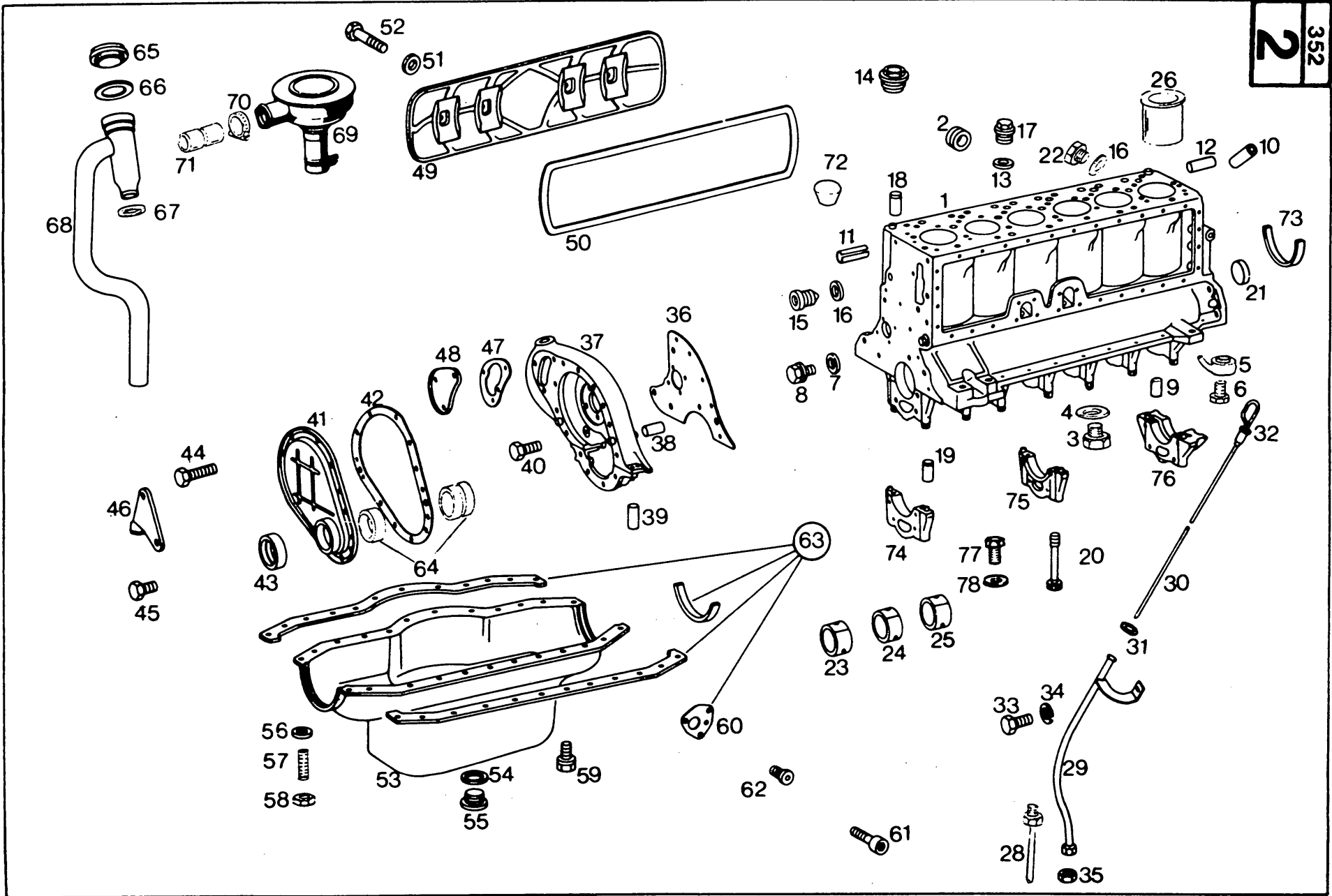


CYLINDER HEAD AND VALVE COVER  
 CULASSE ET COUVERCLE DE CULASSE  
 ZYLINDERKOPF UND VENTILDECKEL  
 TESTA DEI CILINDRI E COPERCHI  
 CILINDERKOP EN KLEPPENDEKSEL

Fig.	Mercedes Part no.	Qty.			Description	N.B.
		0	0	4		
		0	2	2		
		0	1	1		
24	000931 008136	2	2	2	Hex. cap screw	Up to eng. no. 706241
	352 990 44 01	4	4	4	Hex. cap screw	From eng. no. 706242
25	007603 010103	1	1	1	Seal ring	

GROUP

**1**



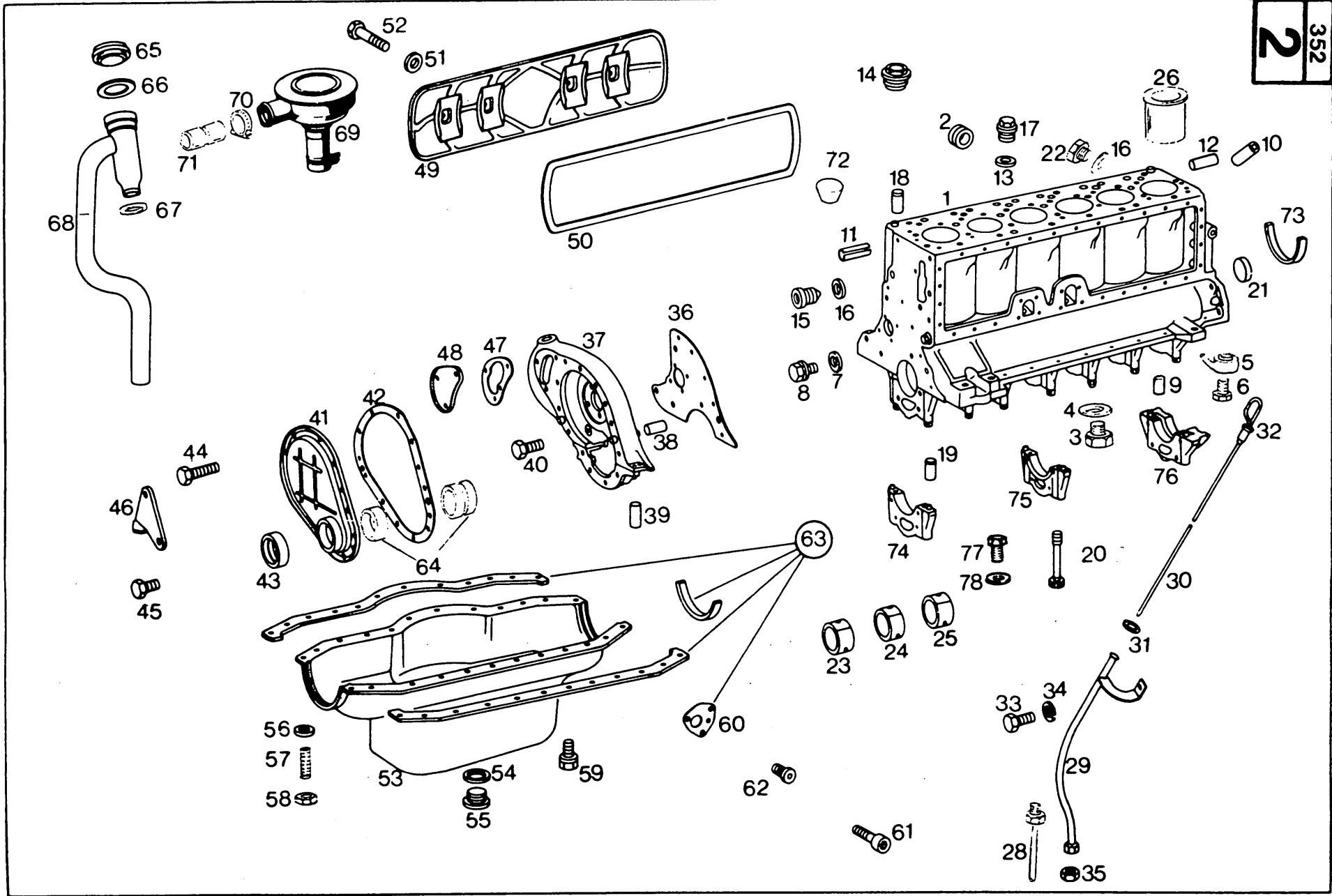
9

CYLINDER BLOCK  
 BLOC — CYLINDRES  
 ZYLINDERBLOCK  
 BASAMENTO  
 CILINDERBLOK

Fig.	Mercedes Part no.	Qty.			Description	N.B.
		0	0	4		
		0	2	2		
		0	1	1		
1	352 010 92 08	1	1		Cylinder block	Up to eng. no. 470359
	353 010 01 08	1	1		Cylinder block	From eng. no. 470359
	353 010 01 08			1	Cylinder block	
2	000906 036000	2	2	2	Screw plug, sht. hd.	
3	007604 010102	6	6		Screw plug	
4	007603 010103	6	6		Seal ring	
5	352 180 01 43			6	Nozzle	
6	352 180 04 72			6	Hex. cap screw	
7	007603 010103	1	1		Seal ring	
	007603 014104	1	1	2	Seal ring	
8	007604 010102	1	1		Screw plug	
	007604 014106	1	1	2	Screw plug	
9	186 991 00 55	2	2	2	Pin	From eng. no. 470360
10	312 188 11 35	1	1	1	Sleeve	
11	321 992 00 25	2	2	2	Dowel pin	
12	90003 012103	2	2	2	Pin	
13	007603 026100	1	1	1	Seal ring	
14	314 990 01 66	1	1	1	Adaptor	
15	352 011 01 35	1	1	1	Screw plug	
16	007603 018101	1	1	1	Seal ring	
17	153 997 02 30	1	1	1	Screw plug	
18	000007 014208	2	2	2	Pin	
19	000007 008117	16	16	16	Pin	
20	352 011 02 71	14	14	14	Hex. cap screw	Up to eng. no. 014558
	352 011 01 71	14	14	14	Hex. cap screw	From eng. no. 014558
21	352 997 03 20	1	1	1	Plug	
22	007604 018101	1	1	1	Plug	
23	352 051 00 10	1	1	1	Camshaft bearing no. 1	
24	321 051 01 12	2	2	2	Camshaft bearing no. 2 and 3	Up to eng. no. 014558
	321 051 01 12	3	3	3	Camshaft bearing no. 2,3 and 4	From eng. no. 014559
25	321 051 01 16	1	1	1	Camshaft bearing no. 4	Up to eng. no. 014558
26	352 011 16 10	6	6	6	Liner	Ø 100,2 mm
	352 011 18 10	6	6	6	Liner	Ø 100,4 mm
27	000 997 96 41	2	2	2	Seal ring	From eng. no. 470360
28	352 018 42 16	1	1	1	Tube	
29	352 010 07 66	1	1	1	Tube	
30	352 010 79 72	1			Dipstick	Incl.figs. 31 and 32
	352 010 20 72		1	1	Dipstick	Incl.figs. 31 and 32
31	003 997 82 45	1	1	1	Seal ring	
32	403 018 01 06	1	1	1	Cover	

GROUP

2



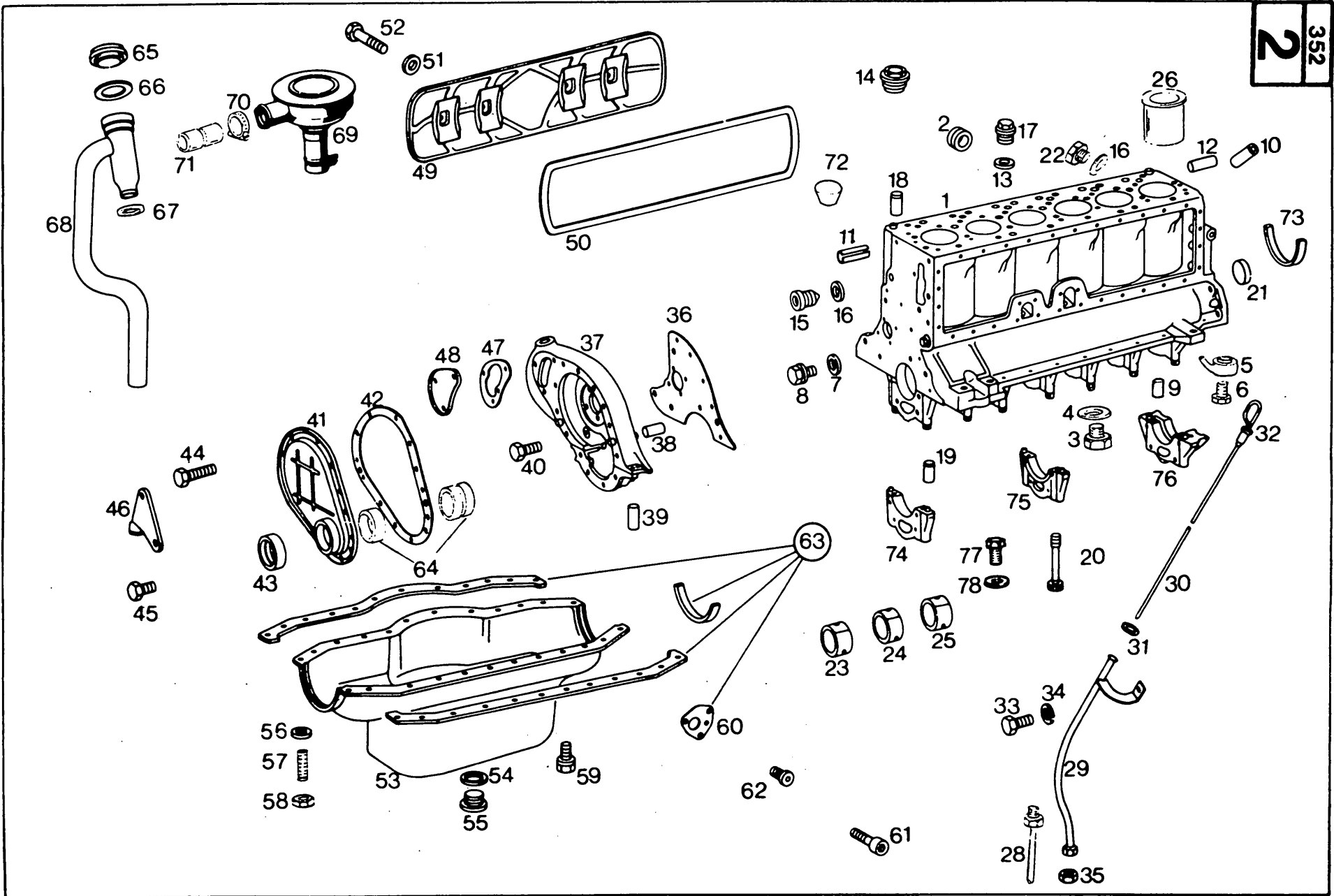
8

CYLINDER BLOCK  
 BLOC — CYLINDRES  
 ZYLINDERBLOCK  
 BASAMENTO  
 CILINDERBLOK

Fig.	Mercedes Part no.	Qty.			Description	N.B.
		0 0 0	0 2 1	4 2 1		
33	00933 008212	1	1	1	Hex. cap screw	
34	912004 008102	1	1	1	Washer	
35	915001 008002	1	1	1	Nut	
36	312 015 05 80	1	1	1	Gasket	
37	352 010 18 33	1	1	1	Timing housing	From eng. no.598250
38	000007 010228	4	4	4	Pin	
39	000007 008117	2	2	2	Pin	
40	000933 010174	3	3	3	Hex. cap screw	
41	352 015 00 01	1	1	1	Cover	Up to eng. no. 598249
	352 015 02 01	1	1	1	Cover	From eng. no. 598250
42	352 015 03 20	1	1	1	Gasket	Up to eng. no. 598249
	352 015 05 20	1	1	1	Gasket	From eng. no. 598249
	001 989 45 20	1	1	1	Sealing compound	Tube 50 ccm
43	006 997 85 47	1	1	1	Seal ring	
44	003 990 62 01	3	3	3	Hex. cap screw	Up to eng. no. 598249
	003 990 63 01	3	3	3	Hex. cap screw	From eng. no. 598250
	003 990 61 01	8	8	8	Screw	Up to eng. no. 598249
	003 990 61 01	8	8	8	Hex. cap screw	From eng. no.598250
45	003 990 63 01	2	2	2	Hex. cap screw	
46	352 032 17 15	1	1	1	Indicator	
47	352 015 03 80	1	1	1	Gasket	
48	352 010 17 35	1	1	1	Cover	
49	352 010 04 16	1	1	1	Cover	
50	315 015 05 22	1	1	1	Gasket	
51	005 997 40 45	4	4	4	Seal ring	
52	000931 008061	4	4	4	Hex. cap screw	
53	352 010 05 13	1	1	1	Oil sump	
	352 010 95 13			1	Oil sump	
54	007603 024303	1	1	1	Seal ring	Up to eng. no. 407131
	007603 024305	1	1	1	Seal ring	From eng. no. 407132
55	000908 999005	1	1		Plug	Up to eng. no. 407131
	403 997 02 30	1	1		Plug	From eng. no. 407131
	403 997 04 32			1	Plug	Up to eng. no. 407131
	403 997 00 32			1	Plug	From eng. no. 407131
56	000125 008418	4	4	4	washer	
57	000939 008083	4	4	4	Stud	
58	999900 008004	4	4	4	Nut	
59	003 990 60 01	18	18	18	Hex. cap screw	
60	352 018 03 80			2	Gasket	
61	000912 006004			1	Hex. cap screw	
62	000931 0080086			3	Hex. cap screw	
63	352 010 08 80	1	1	1	Gasket repair kit	

GROUP

2



10

CYLINDER BLOCK  
 BLOC — CYLINDRES  
 ZYLINDERBLOCK  
 BASAMENTO  
 CILINDERBLOK

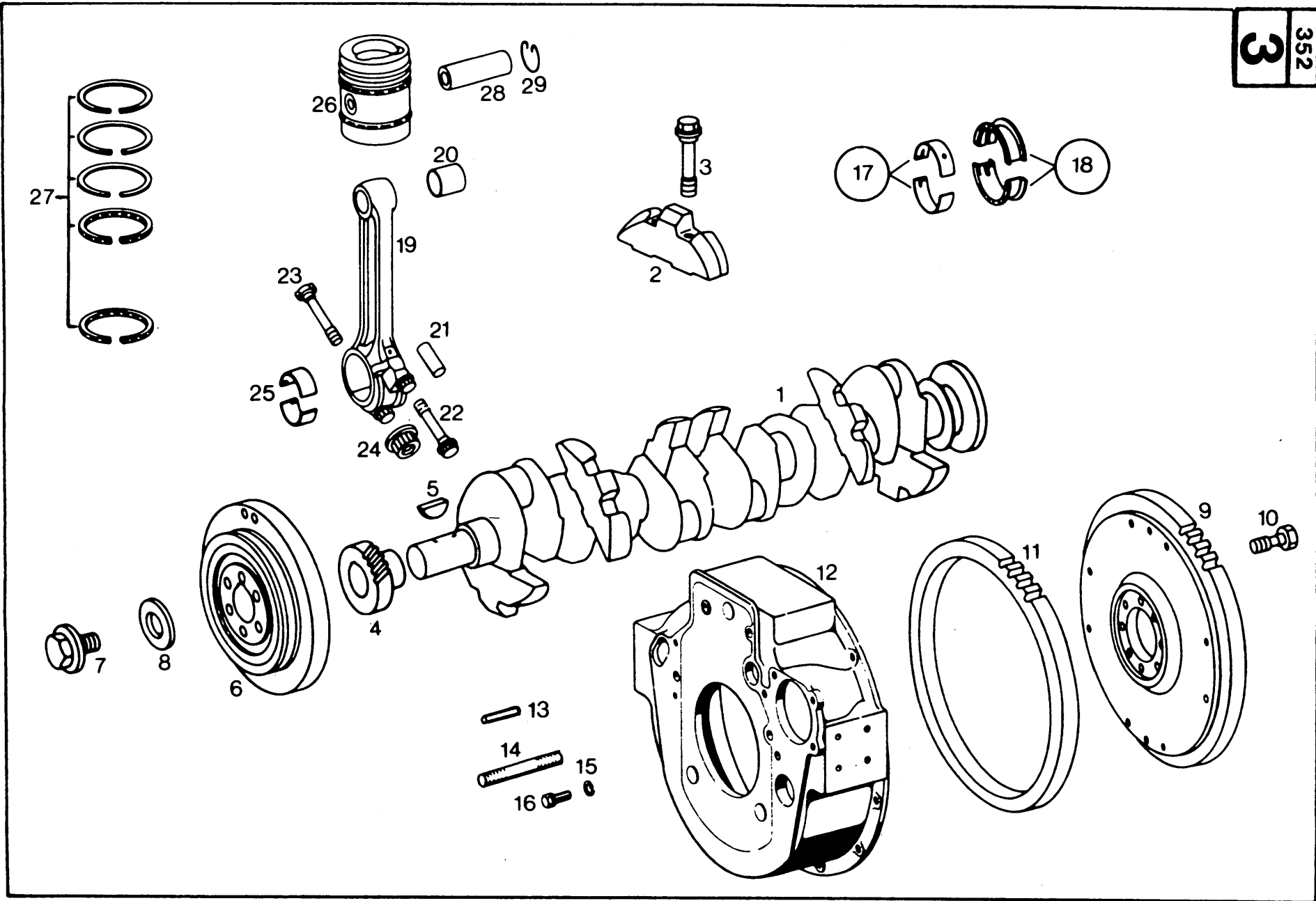
Fig.	Mercedes Part no.	Qty.			Description	N.B.
		0 0 0	0 2 1	4 2 1		
64	314 586 72 03	1	1	1	Seal repair kit	Up to eng. no. 598249
	314 015 01 20	1	1	1	Seal repair kit	From eng. no. 598250
65	352 010 01 68			1	Cap	Up to eng. no. 462952
	000 018 07 02	1	1	1	Cap	From eng. no. 462953
66	352 018 01 80	1	1	1	Gasket	Up to eng. no. 462952
	000 018 01 80			1	Gasket	From eng. no. 462953
67	000 997 13 42			1	Seal ring	
68	352 010 09 69			1	Oil filler neck	
69	000 018 29 35	1	1	1	Oil separator	
70	916017 025000	2		1	Clamp	
	916017 026000			1	Clamp	
	346 134 00 01		1		Clamp	
71	352 018 34 82	1			Tube	
	352 018 30 82			1	Tube	
72	352 010 00 19	1	1		Cap	
73	000 997 96 41	2	2	2	Seal ring	From eng. no. 470360
74	NSS				Bearing cap	
75	NSS				Bearing cap	
76	NSS				Bearing cap	
77	321 997 06 30	1	1	1	Screw plug	
78	007603 026100	1	1	1	Seal ring	

NSS: Not serviced separately

GROUP

2





12

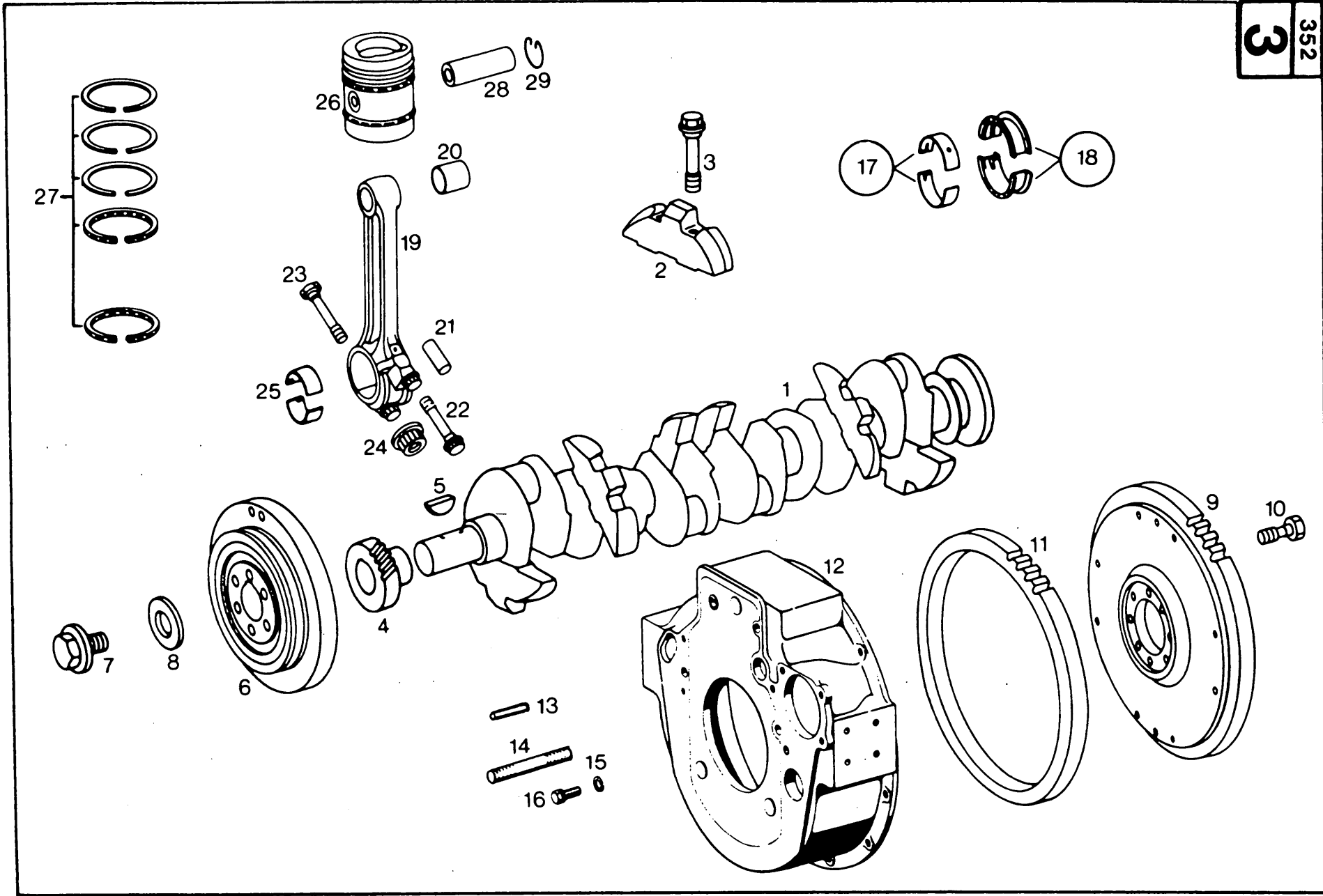
CRANKSHAFT — CONNECTING RODS — PISTONS  
 VILLEBREQUIN — BIELLES — PISTONS  
 KURBELWELLE — PLEUELSTANGEN — KOLBEN  
 ALBERO AD ECCENTRICI — BIELLE — STANTUFFO  
 KRUKAS — DRIJFSTANG — ZUIGERS

Fig.	Mercedes Part no.	Qty.			Description	N.B.
		0	0	4		
		0	2	2		
		0	1	1		
1	352 030 34 02	1	1		Crankshaft with bearings	Up to eng. no. 470359
	352 030 58 02	1	1		Crankshaft with bearings	From eng. no. 470 360
	352 030 40 02			1	Crankshaft with bearings	
2	NSS	6	6	6	Counter weight	
3	352 031 00 71	12	12	12	Hex. cap screw	
4	352 052 00 03	1	1	1	Pinion	
5	006888 008001	1	1	1	Key	
6	352 030 15 03	1	1	1	Damper and pulley assy.	
7	314 990 10 01	1	1	1	Screw	
8	352 035 00 18	1		1	Special washer	
9	352 030 34 05	1	1	1	Flywheel assy.	Incl. fig. 11
10	352 990 22 01	8	8	8	Hex. cap screw	
11	352 032 11 05	1	1	1	Ring gear	
12	352 032 00 12	1	1	1	Flywheel housing	
13	352 991 05 60	2	2	2	Pin	
14	000 990 26 05	3	3	3	Stud	
15	912004 012100	6	6	6	Washer	
16	900170 012005	6	6	6	Hex. cap screw	
17	352 030 07 40	6	6	6	Set bearing shells	Ø 88,00mm x 31,80mm STD
	352 030 08 40	6	6	6	Set bearing shells	Ø 87,90mm x 31,80mm STD
	352 030 09 40	6	6	6	Rep. set bearing shells	Ø 87,75mm x 31,80mm I
	352 030 10 40	6	6	6	Rep. set bearing shells	Ø 87,50mm x 31,80mm II
	352 030 11 40	6	6	6	Rep. set bearing shells	Ø 88,25mm x 31,80mm III
	352 030 12 40	6	6	6	Rep. set bearing shells	Ø 87,00mm x 31,80mm IV
18	352 030 13 45	1	1	1	Set bearing shells	Ø 88,00mm x 31,80mm STD
	352 030 14 75	1	1	1	Set bearing shells	Ø 87,90mm x 31,80mm STD
	352 030 14 75	1	1	1	Rep. set bearing shells	Ø 87,75mm x 31,80mm I
	352 030 16 45	1	1	1	Rep. set bearing shells	Ø 87,75mm x 32,10mm I
	352 030 17 45	1	1	1	Rep. set bearing shells	Ø 87,75mm x 32,30mm I
	352 030 18 45	1	1	1	Rep. set bearing shells	Ø 87,50mm x 31,80mm II
	352 030 19 45	1	1	1	Rep. set bearing shells	Ø 87,50mm x 32,10mm II
	352 030 20 45	1	1	1	Rep. set bearing shells	Ø 87,50mm x 32,30mm II
	352 030 21 45	1	1	1	Rep. set bearing shells	Ø 87,25mm x 31,80mm III
	352 030 22 45	1	1	1	Rep. set bearing shells	Ø 87,25mm x 32,30mm III
	352 030 23 45	1	1	1	Rep. set bearing shells	Ø 87,00mm x 31,80mm IV
	352 030 24 45	1	1	1	Rep. set bearing shells	Ø 87,00mm x 32,30mm IV
19	352 030 49 20	6	6	6	Connecting rod	
20	352 038 23 50	6	6	6	Bushing	Ø 39mm STD
	352 038 24 50	6	6	6	Rep. bushing	Ø 39,2mm I
	352 038 25 50	6	6	6	Rep. bushing	Ø 39,5mm II
21	000007 006100	12	12	12	Pin	
22	352 038 19 71	6	6	6	Hex. cap screw	Up to eng. no. 014833

NSS: Not serviced separately

GROUP

3



14

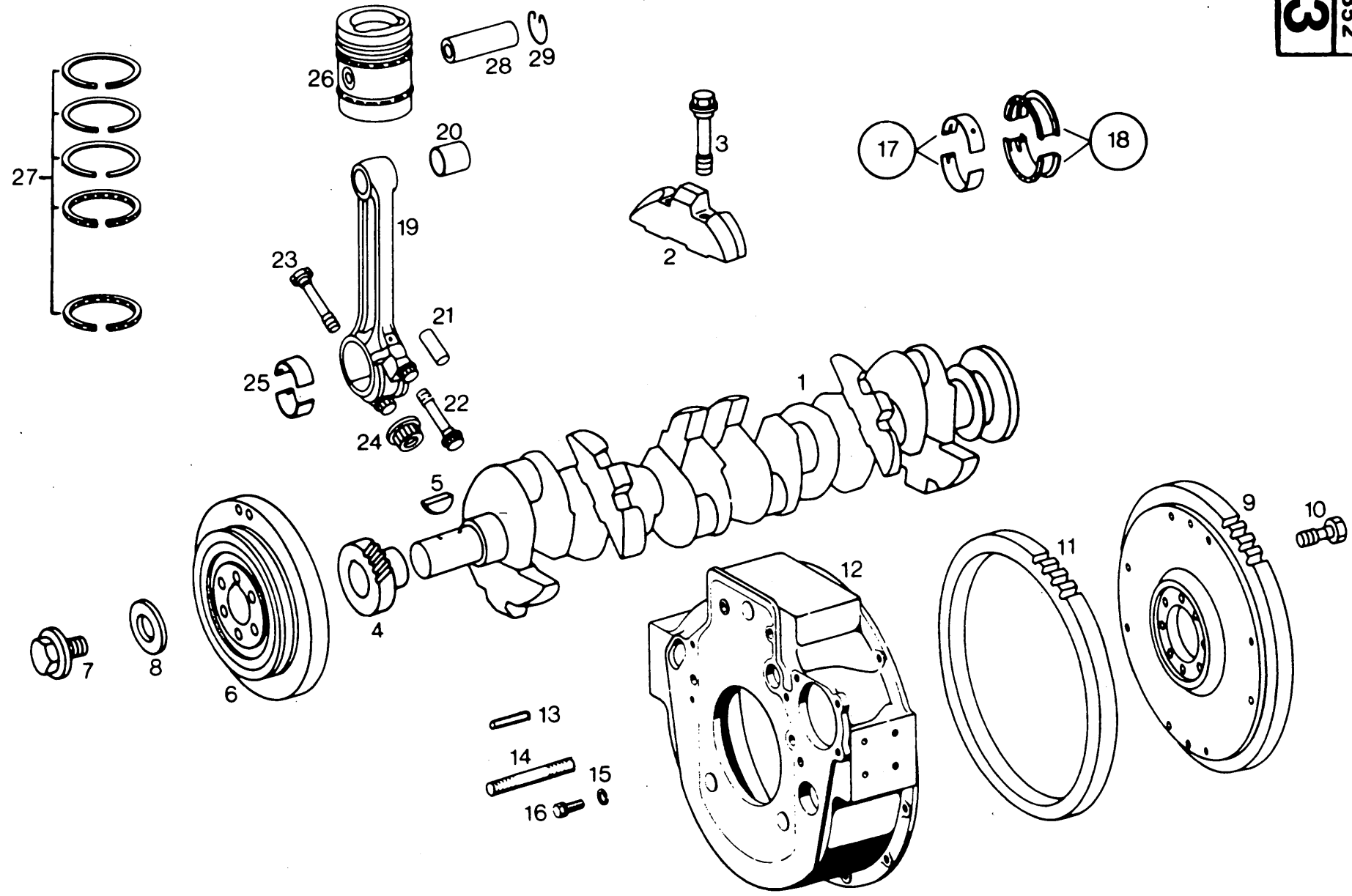
CRANKSHAFT — CONNECTING RODS — PISTONS  
 VILLEBREQUIN — BIELLES — PISTONS  
 KURBELWELLE — PLEUELSTANGEN — KOLBEN  
 ALBERO AD ECCENTRICI — BIELLE — STANTUFFO  
 KRUKAS — DRIJFSTANG — ZUIGERS

Fig.	Mercedes Part no.	Qty.			Description	N.B.
		0	0	4		
		0	2	2		
		0	1	1		
22	352 038 18 71	6	6	6	Hex. cap screw	From eng. no. 014834 Up to eng. no. 056677
	352 038 27 71	6	6	6	Hex. cap screw	From eng. no. 056678
23	352 038 17 71	6	6	6	Hex. cap screw	Up to eng. no. 014833
	352 038 22 71	6	6	6	Hex. cap screw	From eng. no. 01484
24	352 038 05 72	6	6	6	Nut	
25	322 586 36 03	1	1	1	Bearing set STD Ø60,00mm	
	322 586 37 03	1	1	1	Repair set I size Ø59,90mm	
	322 586 38 03	1	1	1	Repair set I size Ø59,75mm	Up to eng. no. 014833
	322 586 39 03	1	1	1	Repair set II size Ø59,50mm	
	322 586 40 03	1	1	1	Repair set III size Ø59,25mm	
	322 586 41 03	1	1	1	Repair set IV size Ø59,00mm	
	352 038 21 10	12	12	12	Bearing shell STD Ø60,00mm	
	352 038 07 10	12	12	12	Repair bearing size I Ø 59,90mm	
	352 038 22 10	12	12	12	Repair bearing size I Ø 59,75mm	
	352 038 24 10	12	12	12	Repair bearing size II Ø 59,50mm	From eng. no. 014834
	352 038 25 10	12	12	12	Repair bearing size III Ø 59,25mm	
	352 038 26 10	12	12	12	Repair bearing size IV Ø 59,00mm	
26	352 030 02 19	6	6	6	Piston STD	Ø 97mm - 4 rings
	352 030 84 19			6	Piston STD	Ø 97mm
	352 030 68 19	6	6		Piston rep. size I	Ø 97mm x 64,9mm
	352 030 69 19	6	6		Piston rep. size II	Ø 97mm x 64,6mm
	352 030 70 19	6	6		Piston rep. size III	Ø 97mm x 64,3mm
27	352 030 00 24	6	6		Ring kit STD	Ø 97mm - 4 rings
	352 030 02 24	6	6		Ring kit STD	Ø 97mm - 5 rings
	352 030 04 24			6	Ring kit STD	Ø 97mm
	352 030 03 19	6	6		Piston STD I	Ø 97,075mm
	005 037 90 16	6	6		Ring no. 1	
	004 037 27 19	6	6		Ring no. 2	
	002 037 02 19	6	6		Ring no. 3	
	003 037 31 18	6	6		Ring no. 4	Up to eng. no. 325030
	008 037 66 18	6	6		Ring no. 4	With spring
	003 037 26 18	6	6		Ring no. 4	Up to eng. no. 325030
	352 030 04 19	6	6		Piston STD II	Ø 97,125mm
	005 037 90 16	6	6		Ring no. 1	

GROUP

3

16

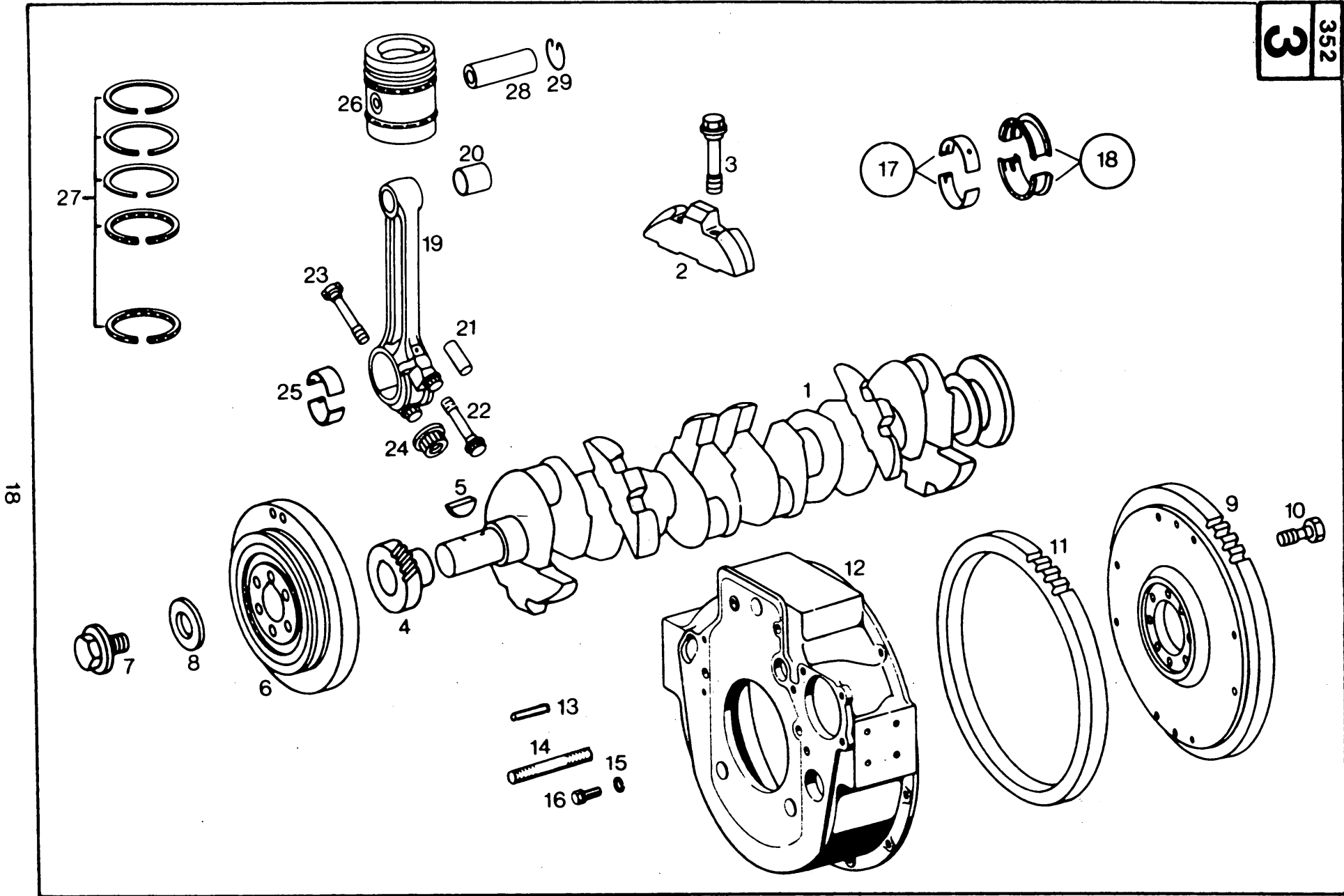


CRANKSHAFT — CONNECTING RODS — PISTONS  
 VILLEBrequIN — BIELLES — PISTONS  
 KURBELWELLE — PLEUELSTANGEN — KOLBEN  
 ALBERO AD ECCENTRICI — BIELLE — STANTUFFO  
 KRUKAS — DRIJFSTANG — ZUIGERS

Fig.	Mercedes Part no.	Qty.			Description	N.B.
		0	0	4		
		0	2	2		
		0	1	1		
27	004 03 27 19	6	6		Ring no. 2	
	002 037 02 19	6	6		Ring no. 3	
	003 037 31 18	6	6		Ring no. 4	Up to eng. no. 325030
	008 037 66 18	6	6		Ring no. 4	With spring
	003 037 26 18	6	6		Ring no. 5	Up to eng. no. 325030
	352 030 05 19	6	6		Piston rep. size I	Ø 97,5mm
	005 037 91 16	6	6		Ring no. 1	
	004 037 28 19	6	6		Ring no. 2	
	002 037 03 19	6	6		Ring no. 3	
	003 037 32 18	6	6		Ring no. 4	Up to eng. no. 325030
	003 037 67 18	6	6		Ring no. 4	With spring
	003 037 27 18	6	6		Ring no. 5	Up to eng. no. 325030
	352 030 42 19	6	6		Piston rep. size II	Ø 98,00mm
	005 037 92 16	6	6		Ring no. 1	
	004 037 29 19	6	6		Ring no. 2	
	002 037 04 19	6	6		Ring no. 3	
	008 037 68 18	6	6		Ring no. 4	With spring
	003 037 28 18	6	6		Ring no. 5	
	352 030 43 19	6	6		Piston rep. size III	
	006 037 16 16	6	6		Ring no. 1	
	004 037 30 19	6	6		Ring no. 2	
	002 037 05 19	6	6		Ring no. 3	
	008 037 69 18	6	6		Ring no. 4	With spring
	004 037 39 18	6	6		Ring no. 5	
	352 030 88 19		6		Piston STD I	Ø 97,075mm
	366 037 17 19		6		Ring no. 1	
	004 037 51 19		6		Ring no. 2	
	366 037 05 18		6		Ring no. 3	
	008 037 66 18		6		Ring no. 4	
	352 030 89 19		6		Piston STD III	Ø 97,125mm
	366 037 17 19		6		Ring no. 1	
	004 037 51 19		6		Ring no. 2	
	366 037 05 18		6		Ring no. 3	
	352 030 90 19		6		Piston rep size I	Ø 97,50mm
	366 037 18 19		6		Ring no. 1	
	004 037 52 19		6		Ring no. 2	

GROUP

3



18

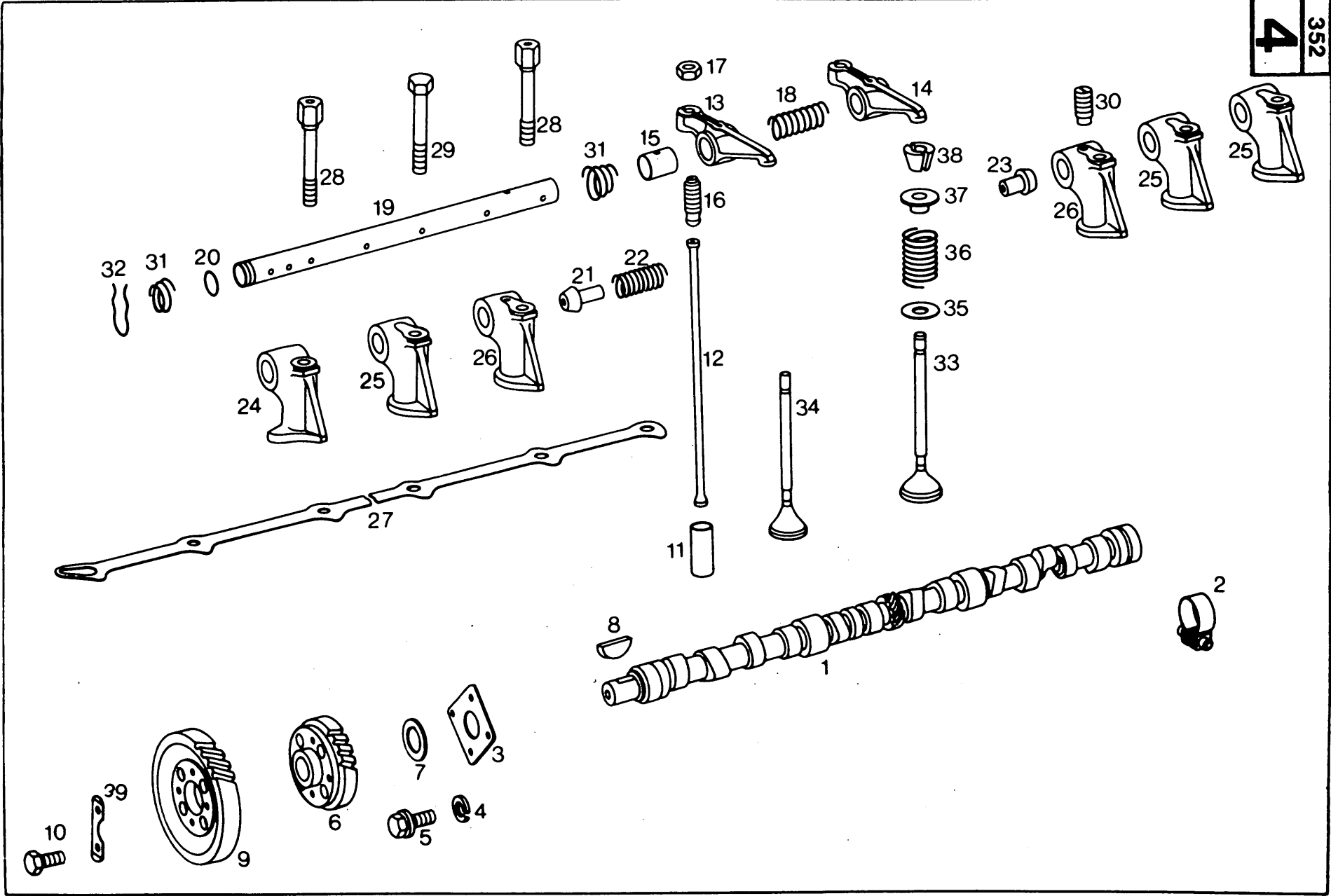
CRANKSHAFT — CONNECTING RODS — PISTONS  
 VILLEBREQUIN — BIELLES — PISTONS  
 KURBELWELLE — PLEUELSTANGEN — KOLBEN  
 ALBERO AD ECCENTRICI — BIELLE — STANTUFFO  
 KRUKAS — DRIJFSTANG — ZUIGERS

Fig.	Mercedes Part no.	Qty.			Description	N.B.
		0	0	4		
		0	2	2		
		0	1	1		
27	366 037 01 18			6	Ring no. 3	
28	352 037 04 20	6	6	6	Piston pin	
29	000 94 14 37	6	6	6	Circlip	

GROUP

**3**





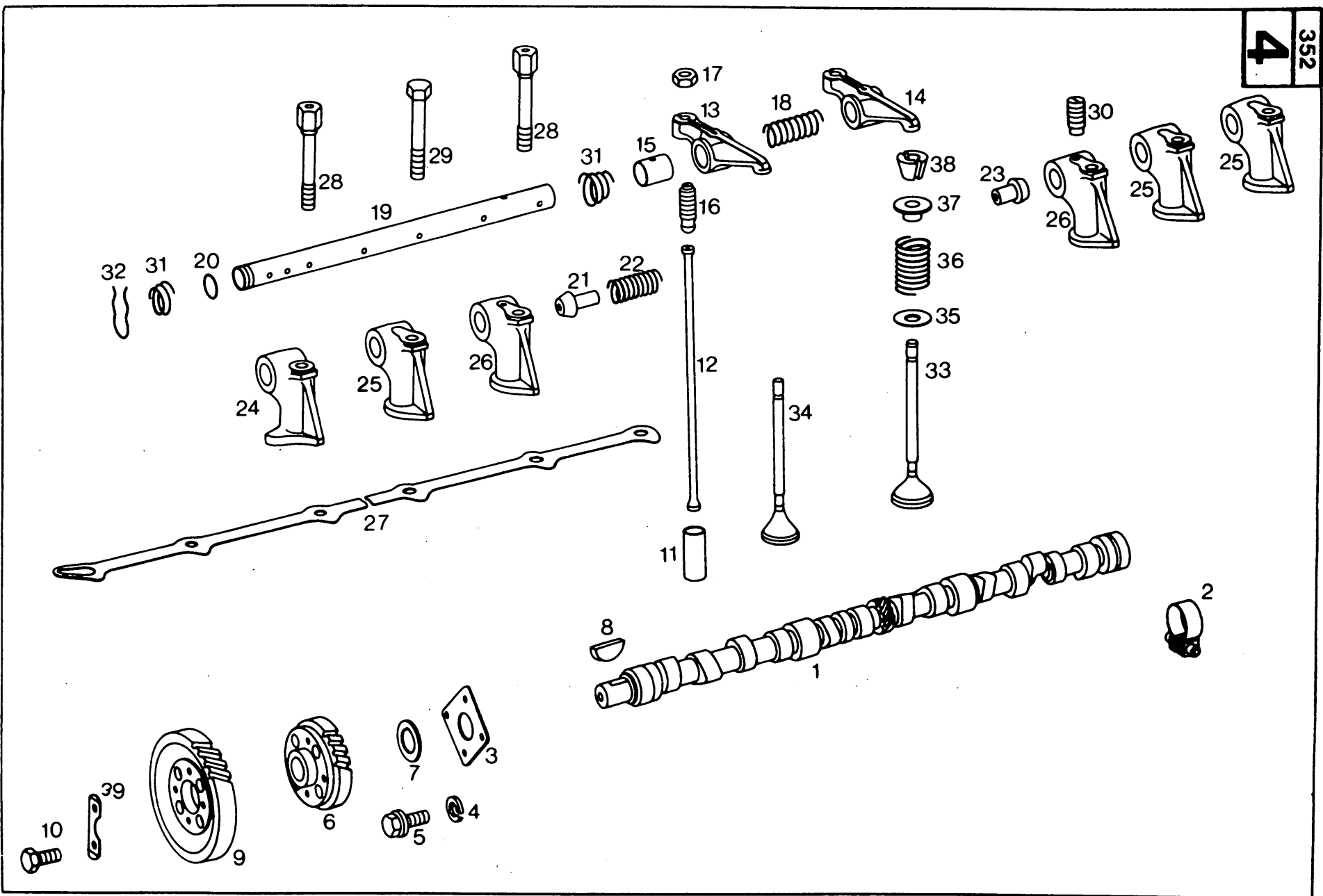
20

TIMING  
DISTRIBUTION  
STEUERUNG  
DISTRIBUZIONE  
DISTRIBUTIE

Fig.	Mercedes Part no.	Qty.			Description	N.B.
		0 0 0	0 2 1	4 2 1		
1	352 050 44 01	1	1		Camshaft	Up to eng. no. 470359
	352 050 49 01	1	1		Camshaft	From eng. no. 470360
	352 050 55 01			1	Camshaft	
2	000 995 01 35	1	1	1	Pipe clamp	
3	352 052 07 62	1	1	1	Thrust plate	From eng. no. 470360
4	912004 008102	4	4	4	Lockwasher	Up to eng. no. 470359
5	352 990 07 04	4	4	4	Screw	Up to eng. no. 470359
6	352 077 00 14	1	1	1	Drive gear	Up to eng. no. 470359
	352 070 11 13	1	1	1	Drive gear	From eng. no. 470360
7	315 077 01 51	1	1	1	Spacer	Up to eng. no. 470359
	352 051 00 62	1	1	1	Spacer	From eng. no. 470360
8	006888 006006	1	1	1	Woodruff key	Up to eng. no. 470359
	006885 006039	1	1	1	Key	From eng. no. 470360
9	312 052 06 01	1	1	1	Gear, Cramshaft	Up to eng. no. 470359
	352 077 04 12	1	1	1	Gear, Cramshaft	From eng. no. 470360
	352 050 00 04	1	1	1	Gear, Cramshaft	From eng. no. 470360
10	000933 008177	4	4	4	Hex. cap screw	Up to eng. no. 470359
	352 075 00 71	1	1	1	Hex. cap screw	From eng. no. 470360
11	352 054 05 01	12	12	12	Valve tappet STD	27,98 - 27,99 mm
	352 054 06 01	12	12	12	Repair size I	28,18 - 28,19 mm
	352 054 07 01	12	12	12	Repair size II	28,48 - 28,49 mm
	352 054 08 01	12	12	12	Repair size III	28,73 - 28,74 mm
12	352 054 02 05	12	12	12	Push rod	
13	352 050 10 33	6	6	6	Rocker arm, left with	
					bushing	
14	352 050 06 34	6	6	6	Rocker arm, right with	
					bushing	
15	322 055 01 50	12	12	12	Bushing	
16	312 055 03 21	12	12	12	Ball head bolt	
17	312 990 02 51	12	12	12	Nut	
18	312 993 07 01	12	12	12	Spring	
19	312 050 02 31	2	2	2	Shaft rocker arm	
20	000470 014000	2	2	2	Expansion plug	
21	352 050 00 85	1	1	1	Connection nipple	
22	352 993 10 01	1	1	1	Spring	
23	352 055 02 53	1	1	1	Connection nipple (outside)	
24	352 055 00 10	1	1	1	Support rocker arm no. 1	
25	352 055 01 10	3	3	3	Support rocker arm no. 2,5,6	
26	352 055 02 10	2	2	2	Support rocker arm no. 3,4	
27	352 055 01 86	1	1	1	Shim	Only used with reworked cyl.
					head	
28	312 055 01 71	4	4	4	Screw	

GROUP

4



22

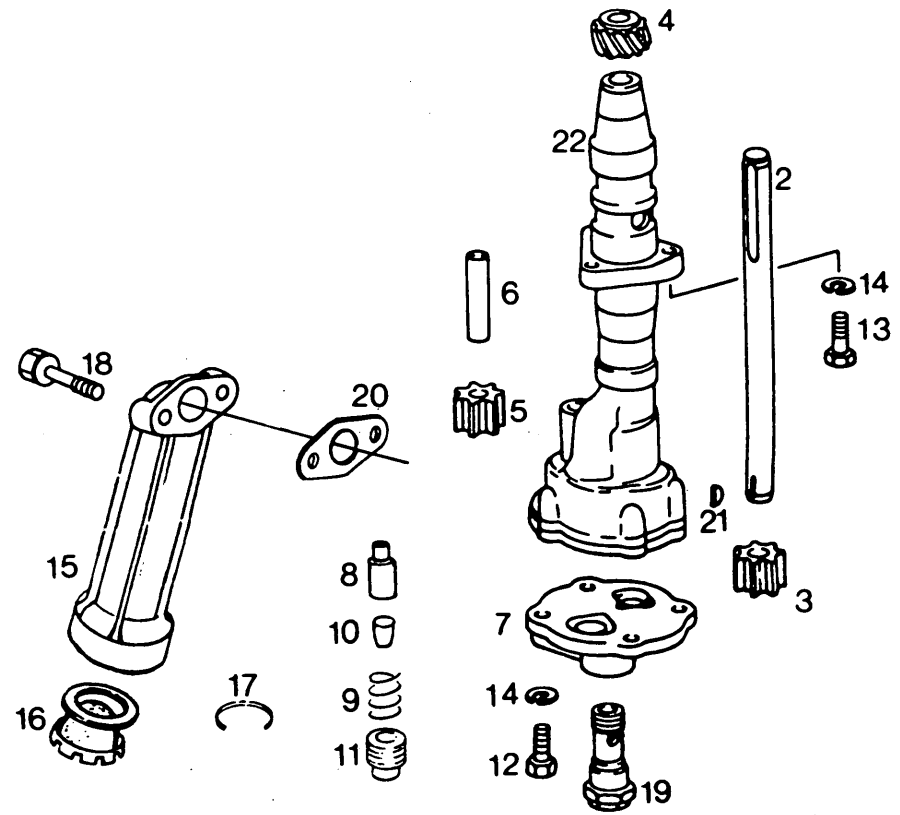
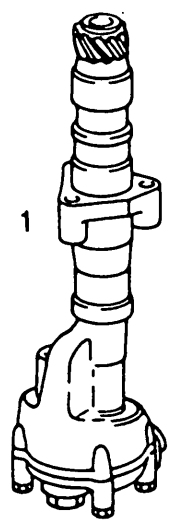
TIMING  
DISTRIBUTION  
STEUERUNG  
DISTRIBUZIONE  
DISTRIBUTIE

Fig.	Mercedes Part no.	Qty.			Description	N.B.
		0 0 0	0 2 1	4 2 1		
29	000931 012061	2	2	2	Hex. cap screw	
30	000417 006001	2	2	2	Threaded pin	
31	312 993 00 05	2	2	2	Spring	
32	312 993 00 25	2	2	2	Spring clip	
33	352 053 01 01	6	6		Inlet valve	
	352 050 55 01			6	Inlet valve	
34	321 053 07 05	6	6	6	Exhaust valve	Up to eng. no. 033657
	352 053 15 05	6	6	6	Exhaust valve	From eng. no. 033658
35	352 990 20 40	12	12	12	Washer	
36	322 053 04 20	12	12	12	Valve spring	
37	322 053 01 25	12	12	12	Retainer	
38	312 053 01 27	24	24	24	Valve cone shaft	
39	NS				Lock plate	

NS: Not serviced

GROUP

**4**



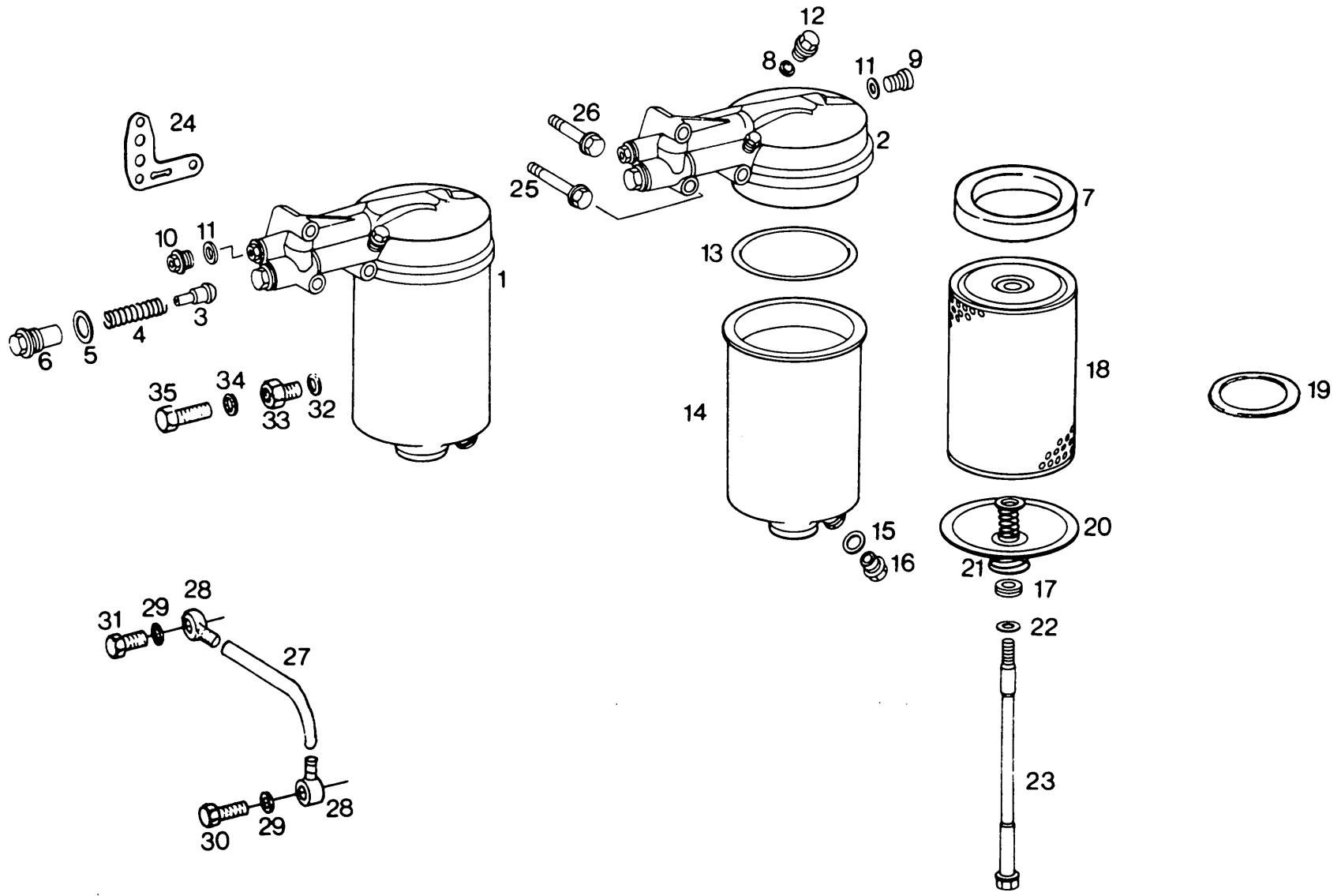
OIL PUMP  
POMPE A HUILE  
ÖLPUMPE  
POMPA OLIO  
OLIEPOMP

Fig.	Mercedes Part no.	Qty.			Description	N.B.
		0 0 0	0 2 1	4 2 1		
1	352 180 70 01	1	1		Oil pump	
	352 180 75 01			1	Oil pump	
2	352 181 21 05	1	1	1	Shaft	
3	352 181 02 06	1	1		Gear	
	352 181 12 06			1	Gear	
4	352 181 11 08	1	1	1	Worm	
5	352 181 01 06	1	1		Gear	
	352 181 11 06			1	Gear	
6	352 181 00 10	1	1	1	Shaft	
7	352 181 12 20	1	1	1	Cover	
8	352 184 03 29	1	1	1	Housing	
9	326 993 04 01	1	1	1	Spring	
10	321 181 00 42	1	1	1	Piston	
11	352 997 07 30	1	1	1	Screw plug	
12	000933 008215	2	2	2	Hex. cap screw	
	000931 008314	1	1	1	Hex. cap screw	
	000931 008049	1	1	1	Hex. cap screw	
13	000933 008177	3	3	3	Hex. cap screw	
14	912004 008102	AR	AR	AR	Lockwasher	
15	314 180 05 55	1	1	1	Oil suction pipe	Up to eng. no. 404007
	352 186 13 01	1	1	1	Oil suction pipe	From eng. no. 401489 Up to eng. no. 403067 and from eng. no. 404008
16	110 180 03 55	1	1	1	Compensator with sieve assy.	From eng. no. 401489 Up to eng. no. 403067 From eng. no. 404008
17	007993 070100	1	1	1	Seal ring	
	000094 003022	AR	AR	AR	Cotter pin	
18	000931 008049	2	2	2	Hex. cap screw	
19	352 180 03 15	1	1	1	Relief valve	Up to eng. no. 404007
20	312 186 00 80	1	1	1	Gasket	
21	006888 003006	AR	AR	AR	Key	
22	NSS				Pump body	

NSS: Not delivered separately  
AR: As required

GROUP

5



26

OIL FILTER  
 FILTRE A HUILE  
 ÖLFILTER  
 FILTRO OLIO  
 OLIE FILTER

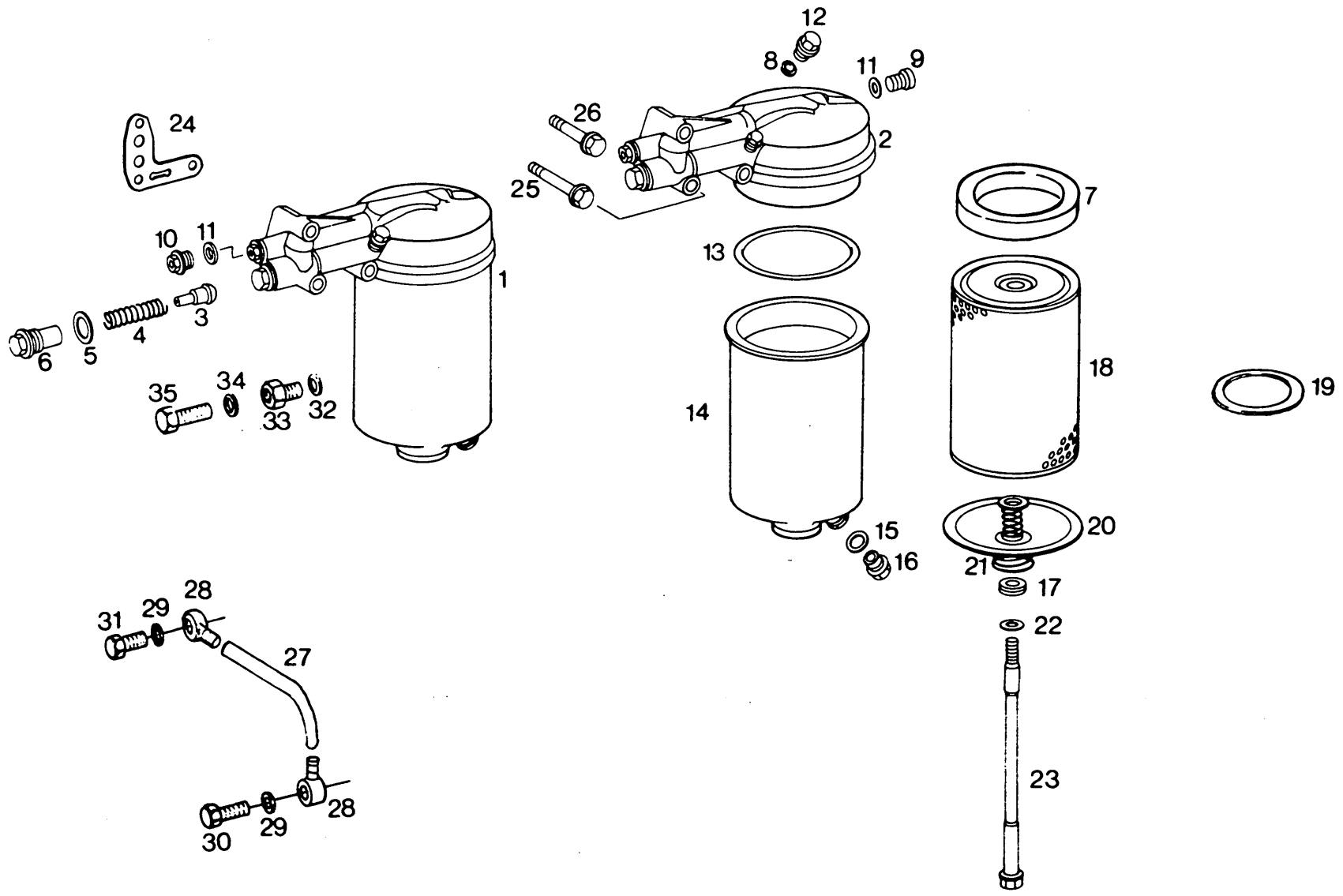
Fig.	Mercedes Part no.	Qty.			Description	N.B.
		0 0 0	0 2 1	4 2 1		
1	352 180 14 10			1	Oil filter assy.	
	352 180 16 10	1	1		Oil filter assy.	
2	352 180 11 38			1	Cover	
	352 180 17 38	1	1		Cover	
3	355 184 00 32	1	1	1	Valve	
4	314 993 02 01	1	1	1	Spring	
5	007603 024106	1	1	1	Seal ring	
6	314 184 00 56	1	1	1	Screw plug	
7	000 184 01 54			1	Guide	
8	007603 018101			1	Seal ring	
9	000908 010002			2	Screw plug	
10	352 997 15 71			1	Screw plug	
11	007603 010103			2	Seal ring	
12	000908 010002			2	Screw plug	
13	000 184 65 80			1	Seal ring	
	006 997 25 48	1	1		Seal ring	
14	352 180 02 11			1	Housing	
	352 180 13 11	1	1		Housing	
15	007603 018101	1	1	1	Seal ring	
16	346 997 01 30			1	Screw plug	
	000 997 49 30	1	1		Screw plug	
17	000 184 63 80	1	1	1	Seal ring	
18	352 180 02 09			1	<b>Oil filter element kit</b>	<b>S.N.H. no. 455145 1</b>
	352 180 01 09	1	1		<b>Oil filter element kit</b>	<b>S.N.H. no. 432437 3</b>
19	352 180 00 60			1	Seal ring	Up to eng. no. 358390
	352 180 00 60			2	Seal ring	
	352 180 02 60	2	2		Seal ring	
20	352 180 00 88			1	Spring	
21	000 184 11 61			1	Seal ring	
22	007603 014102			1	Seal ring	
23	000 184 14 71			1	Hex. cap screw	
	352 184 01 71	1	1		Hex. cap screw	
24	327 184 02 80	1	1	1	Gasket	
25	914126 010005	1	1	1	Hex. cap screw	
26	914126 010006	2	2	2	Hex. cap screw	
27	009 997 93 82	AR	AR	AR	Tube	Order by the meter
28	915052 004005	2	2	2	Banjo	
29	007603 010103	4	4	4	Seal ring	
30	352 990 01 63	1	1	1	Hollow screw	
31	915011 004103	1	1	1	Hollow screw	

AR: As required

GROUP

6





28



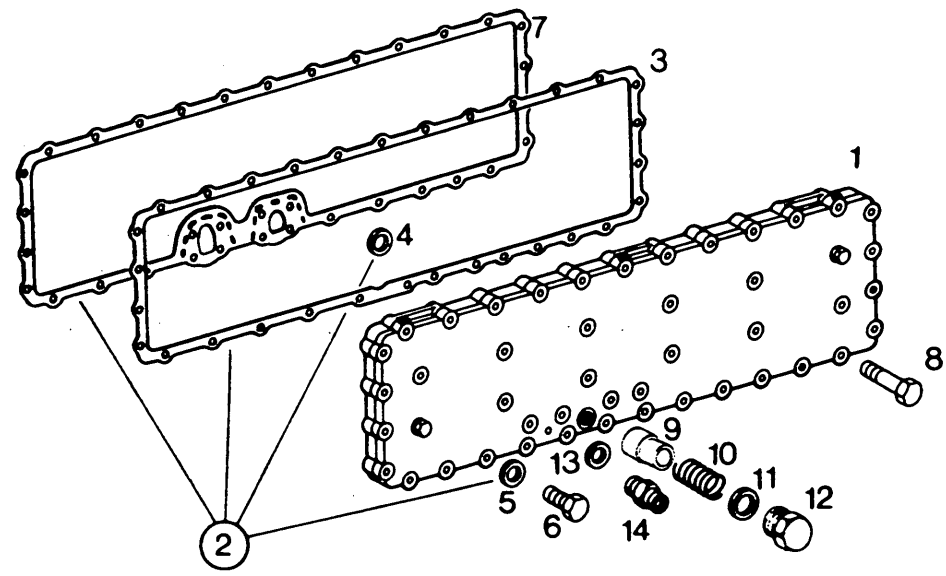
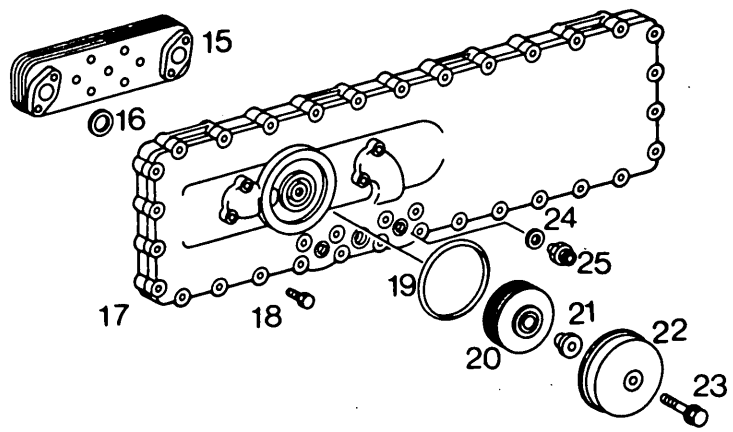
OIL FILTER  
 FILTRE A HUILE  
 ÖLFILTER  
 FILTRO OLIO  
 OLIE FILTER

Fig.	Mercedes Part no.	Qty.			Description	N.B.
		0 0 0	0 2 1	4 2 1		
32	007603 026100	1	1		Seal ring	
33	000910 026000	1	1		Screw plug	Up to eng. no. 534016
	314 990 03 63	1	1		Hollow screw	From eng. no. 534017
34	007603 014102	1	1		Seal ring	From eng. no. 534017
35	007604 014106	1	1		Screw plug	From eng. no. 534017

AR: As required

GROUP

**6**



30



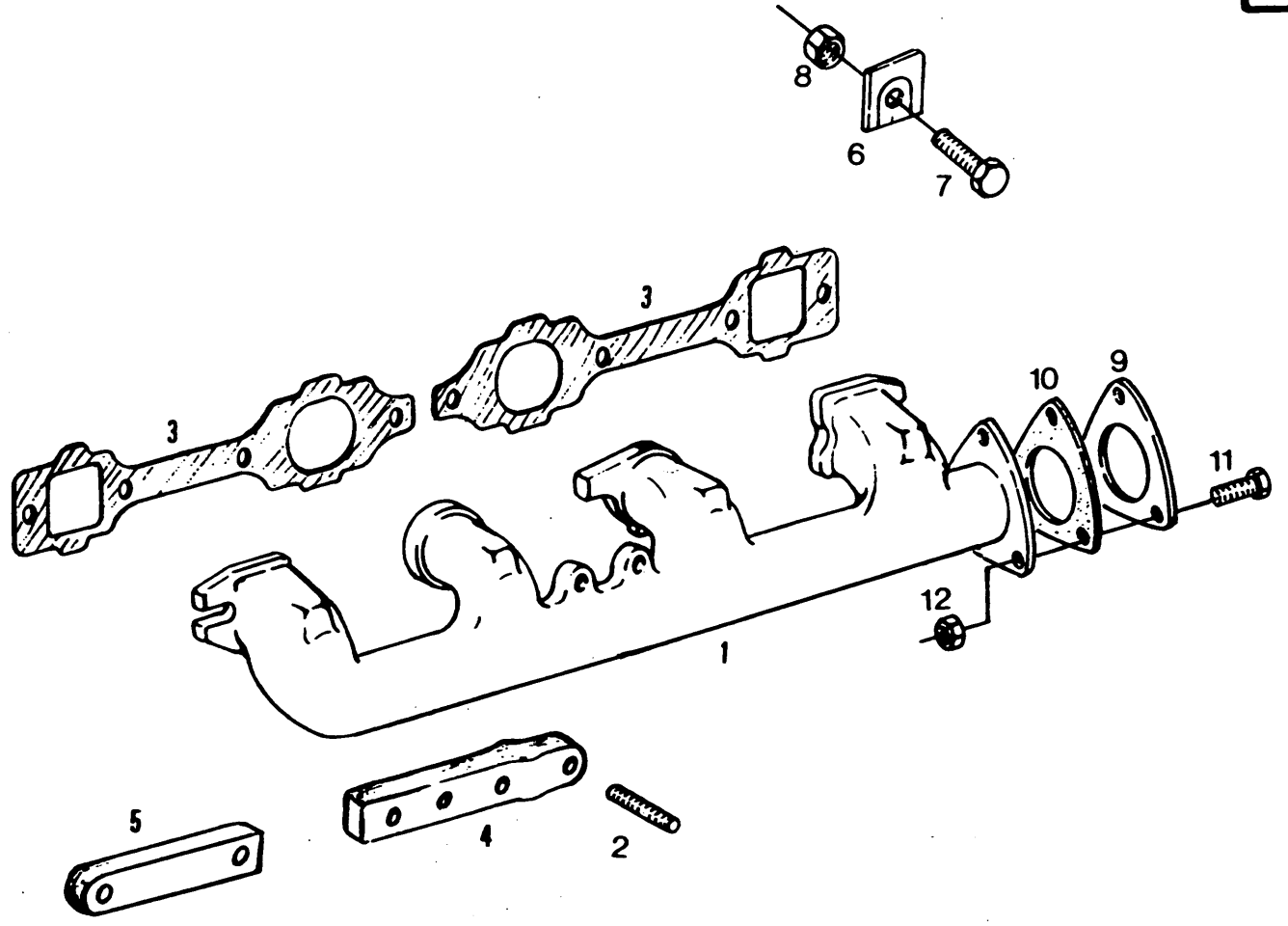
OIL COOLER  
 ECHANGEUR DE TEMPERATURE  
 WÄRMETAUSCHER  
 SCAMBIATORE DI CALORE  
 OLIEKOELER

Fig.	Mercedes Part no.	Qty.			Description	N.B.
		0	0	4		
		0	2	2		
		0	1	1		
1	352 180 08 65	1	1		Oil cooler	
2	352 586 00 18	1	1		Repair kit	
3	312 188 14 79	1	1	1	Gasket	
4	312 188 15 79	4	4		Seal ring	
5	007603 008104	12	12	12	Seal ring	
6	000933 008215	12	12	12	Hex. cap screw	
7	352 188 07 80	1	1	1	Gasket	
8	000931 008054	35	35	35	Hex. cap screw	
9	352 188 00 32	1	1		Valve	
10	312 993 26 01	1	1		Spring	
11	007603 022102	1	1		Seal ring	
12	312 188 13 35	1	1		Screw plug	
13	007603 010401	AR	AR		Seal ring	
14	915013 004000	1	1		Adaptor	Up to eng. no. 016884
	002 997 84 72	1	1		Adaptor	From eng. no. 016885
15	000 180 20 65			1	Oil cooler	
16	917003 026000			2	Seal ring	
17	352 188 00 02			1	Cover	
18	000993 008186			4	Hex. cap screw	
19	005 997 69 48			1	Seal ring	
20	001 184 58 25			1	Filter element	
21	000 184 93 80			1	Seal	
22	352 184 09 08			1	Cover	
23	914126 010004			1	Hex. cap screw	
24	007602 014104			1	Seal ring	
25	915013 008002			1	Adaptor	

AR: As required

GROUP

7



32

MANIFOLDS  
 COLLECTEURS  
 SAMMELROHRE  
 COLLETTORI  
 SPRUITSTUKKEN

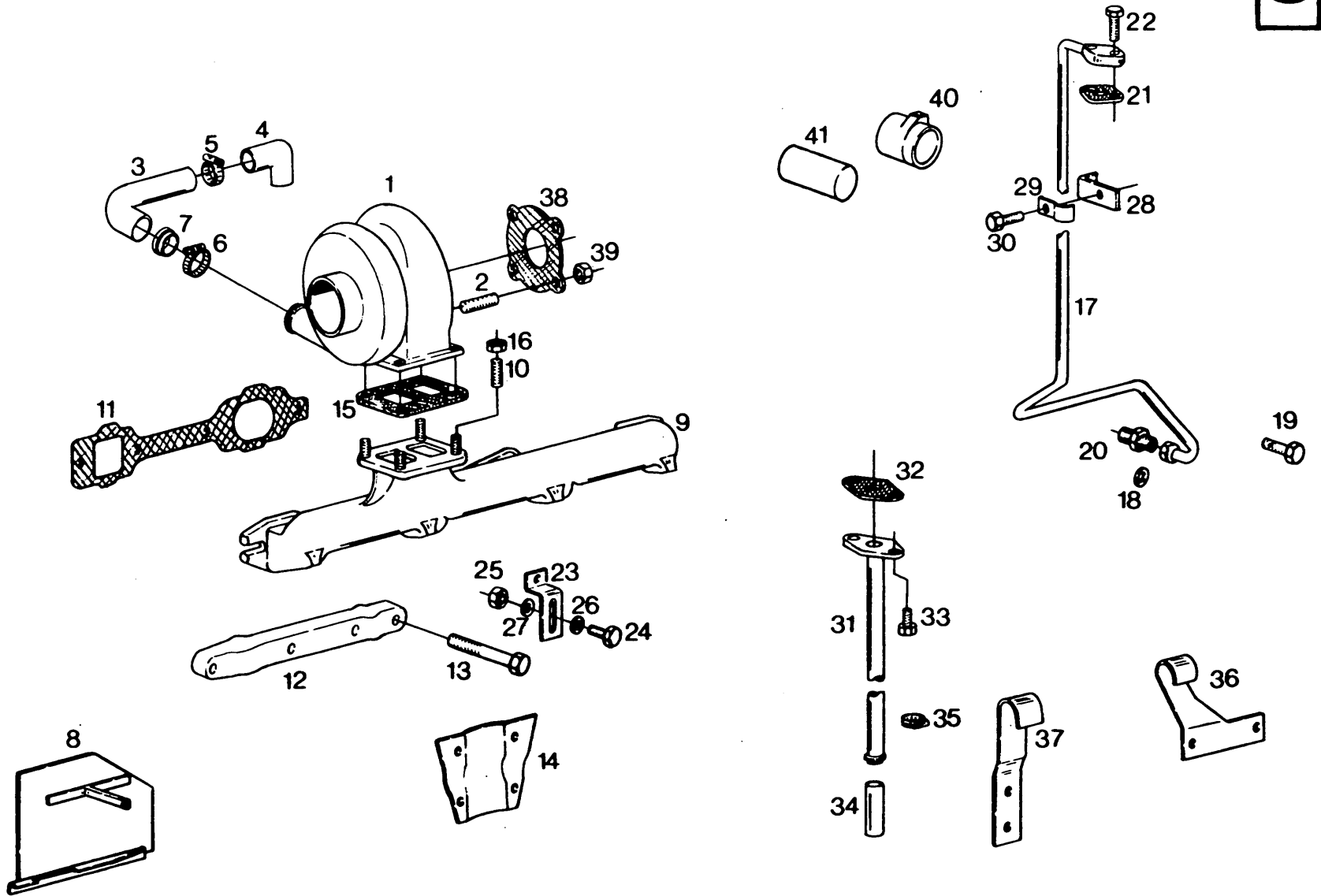
352/900 000 ONLY  
 352/900 021 ONLY

Fig.	Mercedes Part no.	Qty.			Description	N.B.
		0 0 0	0 2 1	4 2 1		
1	012 142 00 01	1	1		Exhaust manifold	
2	000939 010027	2	2		Stud	
3	352 142 02 80	2	2		Gasket	
4	312 142 00 12	1	1		Clamp	
5	312 142 01 12	2	2		Clamp	
6	312 142 02 12	2	2		Clamp	
7	000931 010069	4	4		Screw	
	000931 010089	2	2		Screw	
8	000934 010014	2	2		Nut	
9	312 492 12 11	1	1		Flange	
10	312 492 10 80	1	1		Gasket	
11	000931 010282	3	3		Screw	M 10 x 40
12	000934 010014	3	3		Nut	

GROUP

8

34



TURBO CHARGER — MANIFOLDS  
 TURBOCOMPRESSEUR — COLLECTEURS  
 TURBOLADER — SAMMELROHRE  
 TURBOCOMPRESSORE — COLLETTORI  
 TURBOCOMPRESSOR — SPRUITSTUKKEN

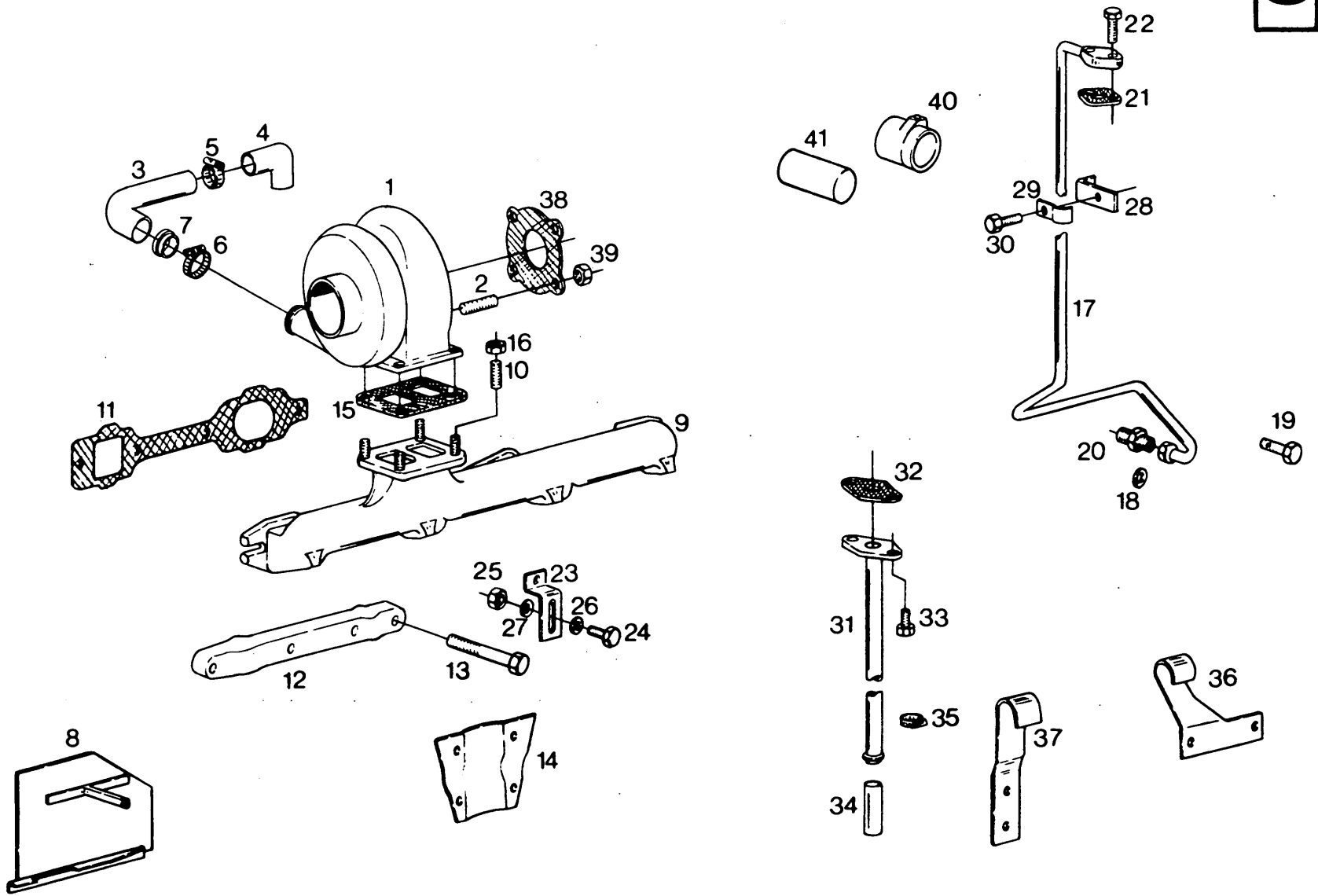
352 900 421 ONLY

Fig.	Mercedes Part no.	Qty.			Description	N.B.
		0	0	4		
		0	2	2		
		0	1	1		
1	352 096 71 99			1	Turbo charger type K.K.K.	Up to eng. no. 549881
	352 096 77 99			1	Turbo charger type Aire- search	Up to eng. no. 549881
	352 096 43 99			1	Turbo charger type K.K.K.	From eng. no. 549882
	352 096 42 99			1	Turbo charger type Aire- search	From eng. no. 549882
2	000 096 04 70			4	Screw type K.K.K.	
	000 096 03 70			4	Screw type Airesearch	
3	352 098 31 28			1	Elbow	
4	352 997 13 82			1	Tube	
5	916017 080000			2	Strap	
6	002 997 55 90			1	Strap	
7	004 997 95 48			1	Seal ring	
8	352 090 13 34			1	Guard	
9	352 140 71 09			1	Exhaust manifold	
10	000939 010026			4	Stud	
11	352 142 02 80			2	Gasket	
12	352 142 09 12			2	Clamp	
13	000931 010346			3	Hex. cap screw	
14	352 098 32 39			1	Support	Up to eng. no. 725961
15	352 098 02 80			1	Gasket	Up to eng. no. 725961
16	999901 010000			4	Nut	
17	352 180 44 20			1	Oil pipe	Up to eng. no. 707766
	352 180 70 20			1	Oil pipe	From eng. no. 707767
18	007603 014104			2	Seal ring	From eng. no. 707767
19	915013 008002			1	Hollow screw	From eng. no. 707767
20	915013 008002			1	Adaptor	Up to eng. no. 707766
21	617 187 01 80			1	Gasket	
22	000933 008068			2	Hex. cap screw	
23	352 187 16 40			1	Support	From eng. no. 707767
24	000933 006007			1	Hex. cap screw	From eng. no. 707767
25	000934 006007			1	Hex. nut	From eng. no. 707767
26	000125 006421			1	Washer	From eng. no. 707767
27	912004 006102			1	Lockwasher	From eng. no. 707767
28	352 180 04 40			1	Support	Up to eng. no. 673404
	352 180 11 40			1	Support	From eng. no. 673405 - 707766
29	153 995 02 20			1	Clamp	
30	000084 006197			1	Hex. cap screw	Up to eng. no. 707766
31	352 180 37 22			1	Oil pipe	
32	352 187 00 80			1	Gasket	
33	000933 008215			2	Hex. cap screw	
34	014 997 33 82			1	Tube	Order by the meter
35	916017 025000			2	Strap	

GROUP

9





36



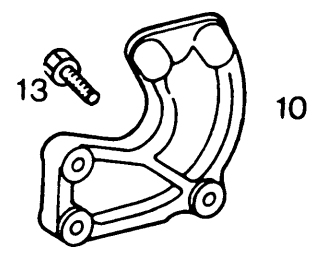
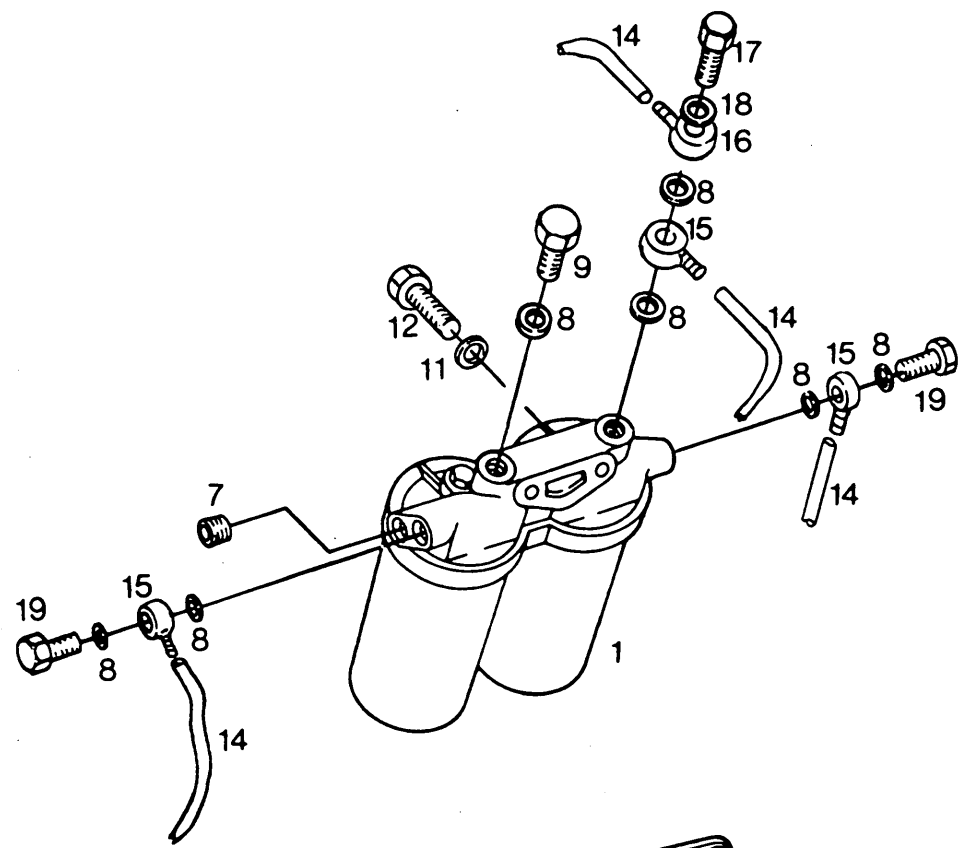
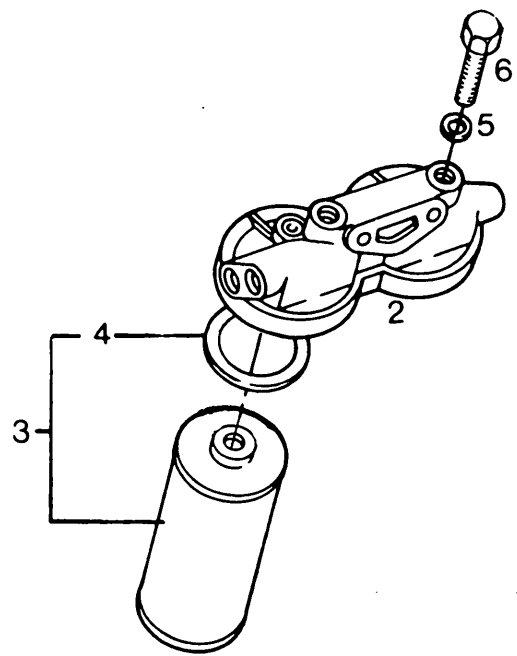
TURBO CHARGER — MANIFOLDS  
 TURBOCOMPRESSEUR — COLLECTEURS  
 TURBOLADER — SAMMELROHRE  
 TURBOCOMPRESSORE — COLLETTORI  
 TURBOCOMPRESSOR — SPRUITSTUKKEN

352 900 421 ONLY

Fig.	Mercedes Part no.	Qty.			Description	N.B.
		0 0 0	0 2 1	4 2 1		
36	352 223 11 41			1	Lifting hook	Rear
37	352 223 03 41			1	Lifting hook	Front
38	352 098 09 80			1	Gasket	Up to eng. no. 725961
39	001 990 65 51			4	Nut	
40	352 140 00 53			1	Adaptor	
41	900271 070007			1	Tube	Order by the meter
	000 586 16 09			1	Turbo charger repair kit	For 352 096 71 99 only
	000 090 05 98			1	Turbo charger repair kit	For 352 096 77 99 only
	000 090 02 98			1	Turbo charger repair kit	For 352 096 43 99 only
	000 586 20 09			1	Turbo charger repair kit	For 352 096 42 99 only

GROUP

9



38

FUEL FILTER  
 FILTRE A CARBURANT  
 KRAFTSTOFFFILTER  
 FILTRO CARBURANTE  
 BRANDSTOFFFILTER

Fig.	Mercedes Part no.	Qty.			Description	N.B.
		0	0	4		
		0	2	2		
		0	1	1		
1	001 092 02 01	1	1	1	Fuel filter	
2	000 092 27 08	1	1	1	Filter cap	
3	352 470 00 92	2	2	2	<b>Fuel filter element</b>	<b>SNH no. 392703 9 incl. fig. 4</b>
4	000 477 35 80	2	2	2	Seal ring	
5	007603 008109	5	5	5	Seal ring	
6	000931 008326	2	2	2	Hex. cap screw	
7	000906 014000	2	2	2	Screw plug	
8	007603 014104	1	1	1	Seal ring	
9	007604 014106	1	1	1	Screw plug	
10	352 092 10 40	1	1	1	Support	
11	000125 010518	2	2	2	Washer	
12	000931 010355	4	4	4	Hex. cap screw	
13	000931 008061	1	1	1	Hex. cap screw	
14	008 997 54 82	1	1	1	Tube	Order by the meter
15	915052 008000	6	6	6	Banjo	
16	001 990 04 88	1	1	1	Banjo	
17	915047 010100	1	1	1	Hollow screw	
18	007603 014106	3	3	3	Seal ring	
19	915036 010100	2	2	2	Hollow screw	

GROUP

**10**



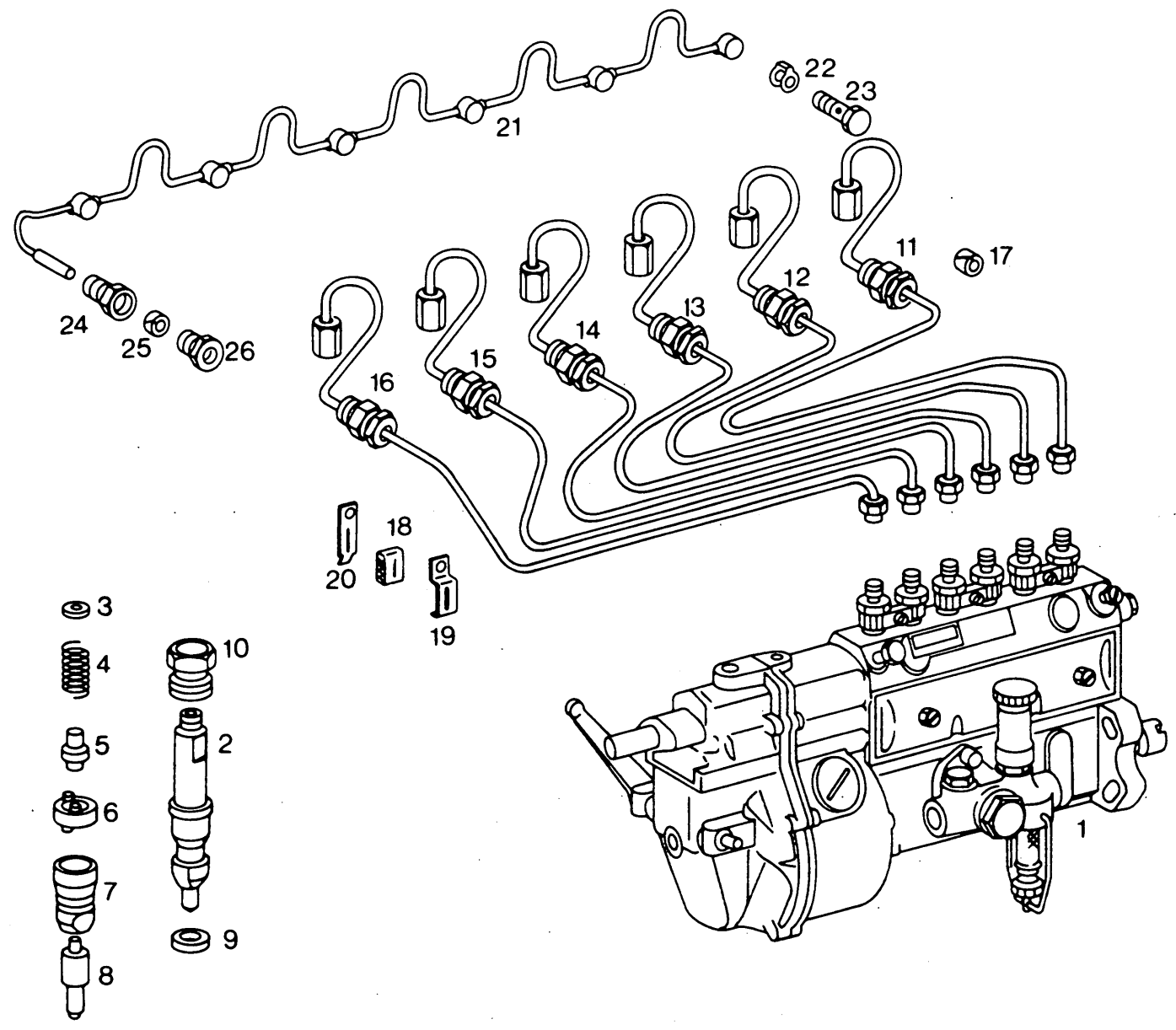
FUEL INJECTION PUMP ASSEMBLY — FUEL LINES  
 POMPE D'INJECTION (COMPLETE) — CANALISATIONS D'INJECTION  
 EINSPRITZPUMPE (KOMPLETT) — EINSPRITZLEITUNGEN  
 POMPA INIEZIONE (COMPLESSO) — TUBAZIONI PER INIEZIONE  
 INJECTIEPOMP (COMPLEET) — INJECTIELEIDINGEN

Fig.	Mercedes Part no.	Qty.			Description	N.B.
		0	0	4		
		0	2	2		
		0	1	1		
1	001 074 26 02		1		Injection pump	For breakdown see group 12
	008 074 91 02			1	Injection pump	For breakdown see group 12
2	000 017 86 21	1	1		Nozzle holder	Incl. fig. 8
	000 017 87 21			1	Nozzle holder	
3	000 017 36 52	AR	AR	AR	Shim washer	1,00 mm
	000 017 37 52	AR	AR	AR	Shim washer	1,05 mm
	000 017 38 52	AR	AR	AR	Shim washer	1,1 mm
	000 017 39 52	AR	AR	AR	Shim washer	1,15 mm
	000 017 40 52	AR	AR	AR	Shim washer	1,2 mm
	000 017 41 52	AR	AR	AR	Shim washer	1,25 mm
	000 017 42 52	AR	AR	AR	Shim washer	1,3 mm
	000 017 43 52	AR	AR	AR	Shim washer	1,35 mm
	000 017 44 52	AR	AR	AR	Shim washer	1,4 mm
	000 017 45 52	AR	AR	AR	Shim washer	1,45 mm
	000 017 46 52	AR	AR	AR	Shim washer	1,5 mm
	000 017 47 52	AR	AR	AR	Shim washer	1,55 mm
	000 017 48 52	AR	AR	AR	Shim washer	1,6 mm
	000 017 49 52	AR	AR	AR	Shim washer	1,65 mm
	000 017 50 52	AR	AR	AR	Shim washer	1,7 mm
	000 017 51 52	AR	AR	AR	Shim washer	1,75 mm
	000 017 52 52	AR	AR	AR	Shim washer	1,8 mm
	000 017 53 52	AR	AR	AR	Shim washer	1,85 mm
	000 017 54 52	AR	AR	AR	Shim washer	1,9 mm
	000 017 55 52	AR	AR	AR	Shim washer	1,95 mm
4	000 017 05 17	6	6	6	Spring	
5	000 017 11 74	6	6	6	Thrust pin	
6	000 017 56 52	6	6	6	Spacer	
7	000 017 09 16	6	6	6	Adaptor nut	
8	000 017 39 12	6	6		Nozzle	Bosch DLLA 150S. 187
	001 017 15 12			6	Nozzle	Bosch DLLA 142S. 792
9	346 017 01 60	6	6	6	Seal ring	
10	352 017 00 71	6	6	6	Hex. cap screw	
11	352 070 32 33	1	1	1	Fuel line	No. 1
12	352 070 33 33	1	1	1	Fuel line	No. 2
13	352 070 34 33	1	1	1	Fuel line	No. 3
14	352 070 35 33	1	1	1	Fuel line	No. 4
15	352 070 36 33	1	1	1	Fuel line	No. 5
16	352 070 37 33	1	1	1	Fuel line	No. 6
17	352 997 05 40	6	6	6	Seal ring	
18	352 078 00 86	2	2	2	Shim	
19	322 995 00 22	2	2	2	Clamp	
20	322 995 08 48	2	2	2	Clamp	

AR: As required

GROUP

11



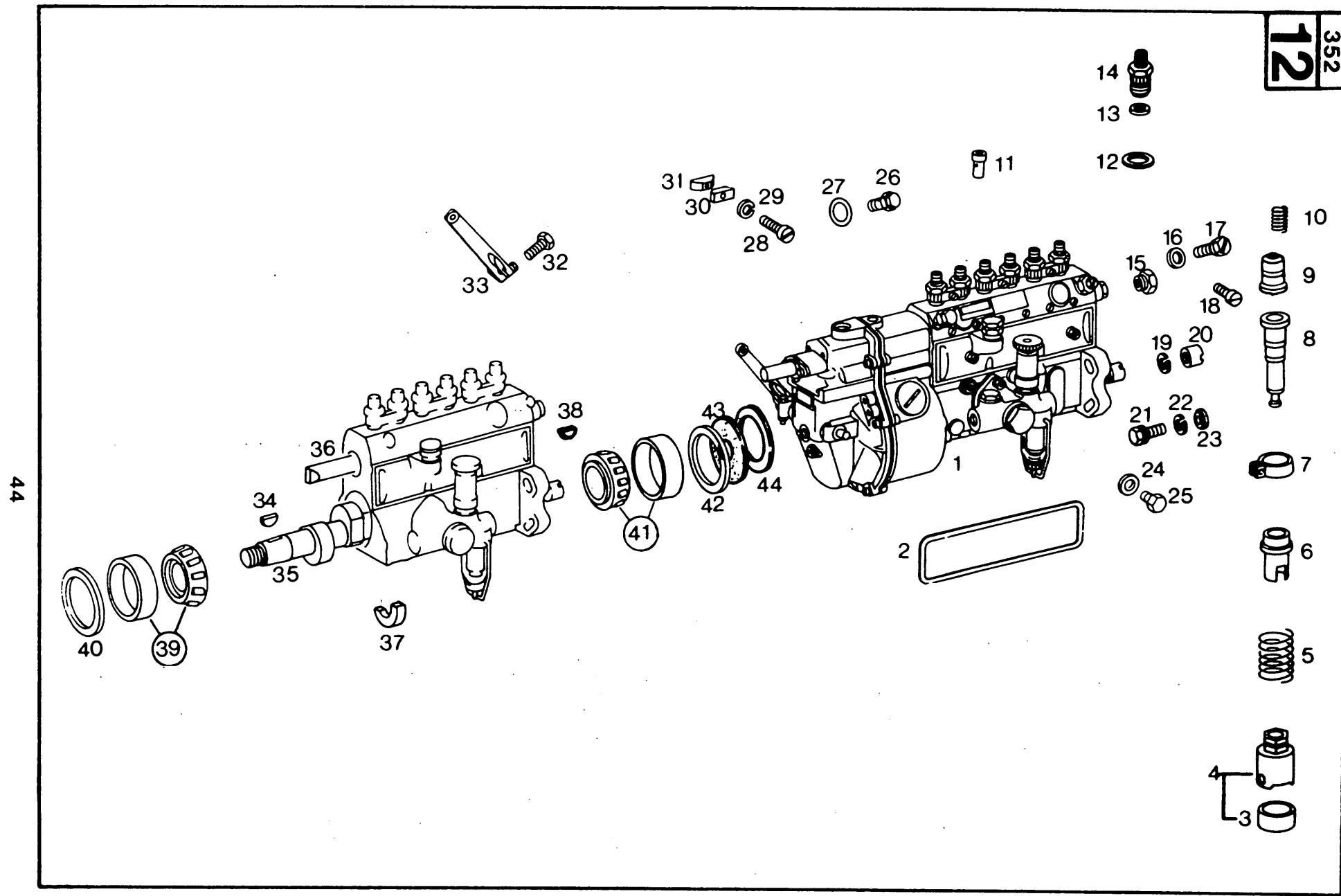
FUEL INJECTION PUMP ASSEMBLY — FUEL LINES  
 POMPE D'INJECTION (COMPLETE) — CANALISATIONS D'INJECTION  
 EINSPRITZPUMPE (KOMPLETT) — EINSPRITZLEITUNGEN  
 POMPA INIEZIONE (COMPLESSO) — TUBAZIONI PER INIEZIONE  
 INJECTIEPOMP (COMPLEET) — INJECTIELEIDINGEN

Fig.	Mercedes Part no.	Qty.			Description	N.B.
		0	0	4		
		0	2	2		
		0	1	1		
21	352 070 02 35	1	1	1	Leak pipe	
22	352 078 00 80	6	6	6	Seal	
23	326 990 01 63	6	6	6	Hollow screw	
24	352 997 11 30	1	1	1	Screw plug	
25	352 997 05 40	1	1	1	Seal	
26	352 997 12 30	1	1	1	Screw plug	

GROUP

**11**





44



FUEL INJECTION PUMP  
POMPE D'INJECTION  
EINSPITZPUMPE  
POMPA INIEZIONE  
INJECTIE POMP

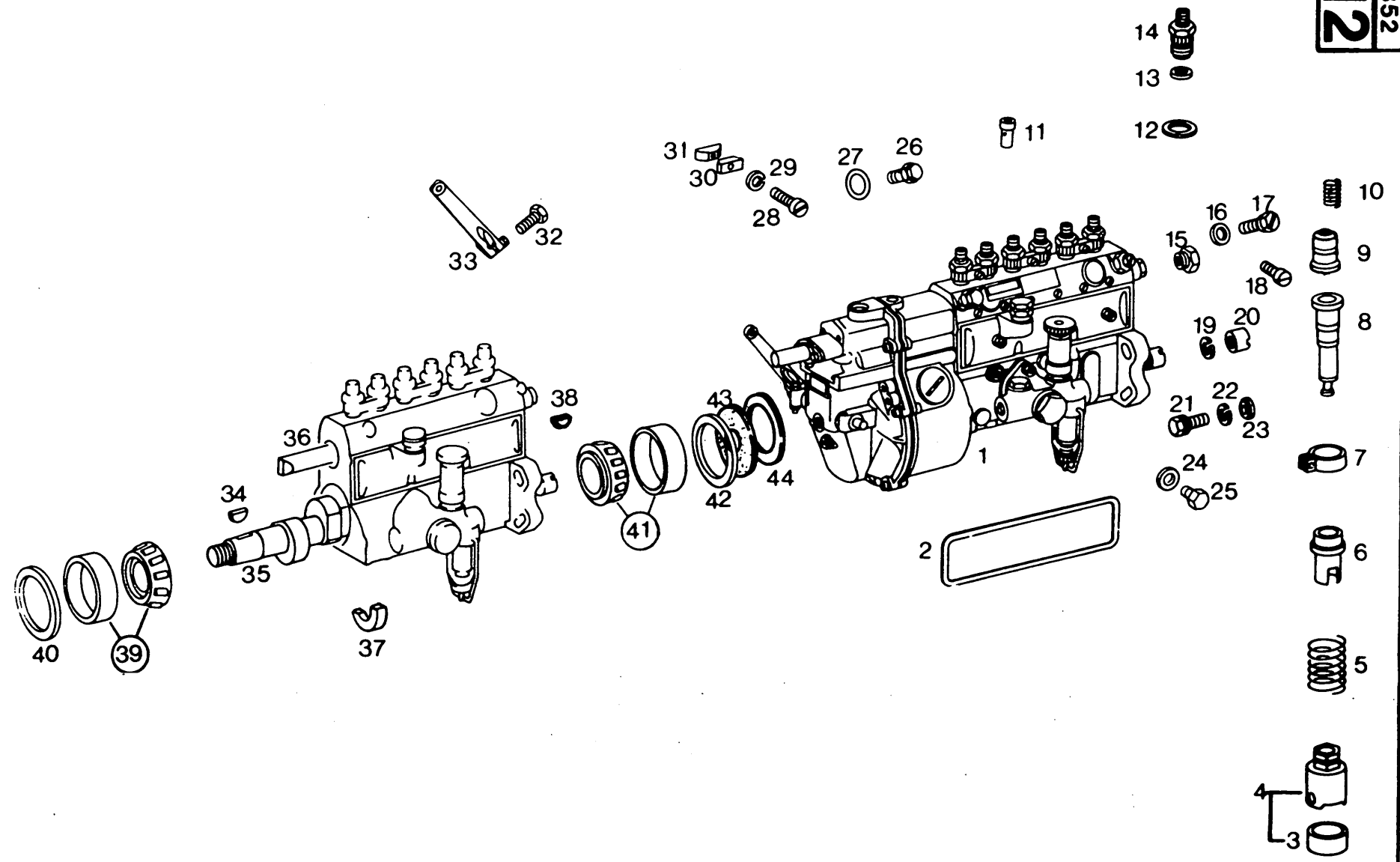
Fig.	Mercedes Part no.	Qty.			Description	N.B.
		0 0 0	0 2 1	4 2 1		
1	001 074 26 02	1			Injection pump assy.	Bosch PES 6A 90D 410RS 2569
	001 074 26 02		1		Injection pump assy.	Bosch PES 6A 90D 410RS 2293
	008 074 91 02			1	Injection pump assy	Bosch PES 6A 90D 410RS 2596
2	000 074 04 80	1	1	1	Gasket	
3	000 074 30 50	6	6	6	Bushing	
4	000 074 08 29	6	6	6	Lifter	Incl. fig. 3
5	000 074 41 93	6	6	6	Spring	
6	000 074 01 49	6	6	6	Bushing	
7	000 075 01 26	6	6	6	Segment	
8	000 074 71 22	6	6		Piston	
	000 074 07 22			6	Piston	
9	000 074 36 84	6	6		Valve	
	000 74 28 15			6	Valve	
10	000 074 46 93	6	6	6	Spring	
11	000 078 01 29	6	6	6	Pump element	
12	000 997 34 40	6	6	6	Seal ring	
13	000 997 42 48	6	6	6	Seal ring	
14	000 078 14 69	6	6	6	Adaptor	
15	000 997 54 72	1	1	1	Screw plug	
16	007603 006100	1	1	1	Seal ring	
17	000 074 17 71	1	1	1	Hex. cap screw	
18	000 074 46 71	1	1	1	Hex. cap screw	
19	000 990 26 47	1	1	1	Lockwasher	
20	000 990 23 56	1	1	1	Nut	Up to eng. no. 470359
21	900170 010002	4	4	4	Hex. cap screw	Up to eng. no. 470359
	000938 010020	4	4	4	Stud	From eng. no. 470360
22	912004 010102	4	4	4	Washer	Up to eng. no. 470359
	000934 010009	4	4	4	Nut	From eng. no. 470360
23	000125 010518	4	4	4	Washer	Up to eng. no. 470359
	116 990 11 40	4	4	4	Washer	From eng. no. 470360
24	007603 010103	1	1	1	Seal ring	
25	007604 010102	1	1	1	Screw plug	
26	000 074 05 15	1	1	1	Overflow valve	
27	007603 016105	1	1	1	Seal ring	
28	000064 006120	3	3	3	Hex. cap screw	
29	912004 006102	3	3	3	Washer	
30	000 078 13 35	3	3	3	Clamp	
31	000 078 14 35	3	3	3	Clamp	
32	000 993 006121	1	1	1	Hex. cap screw	
33	000 074 49 27	1	1	1	Lever	
34	006888 003001	AR	AR	AR	Key	
35	000 074 09 10	1	1	1	Camshaft	

AR: As required





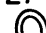
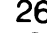
GROUP



12









46







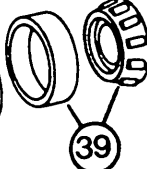





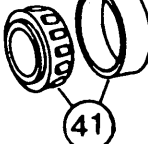
- 14 
- 13 
- 12 

- 31 
- 30 
- 29 
- 28 
- 27 
- 26 

- 33 
- 32 

- 10 
- 9 
- 8 
- 7 
- 6 
- 5 
- 4 
- 3 

- 34 
- 35 
- 36 
- 37 
- 38 
- 40 
- 39 

- 43 
- 42 
- 44 
- 41 

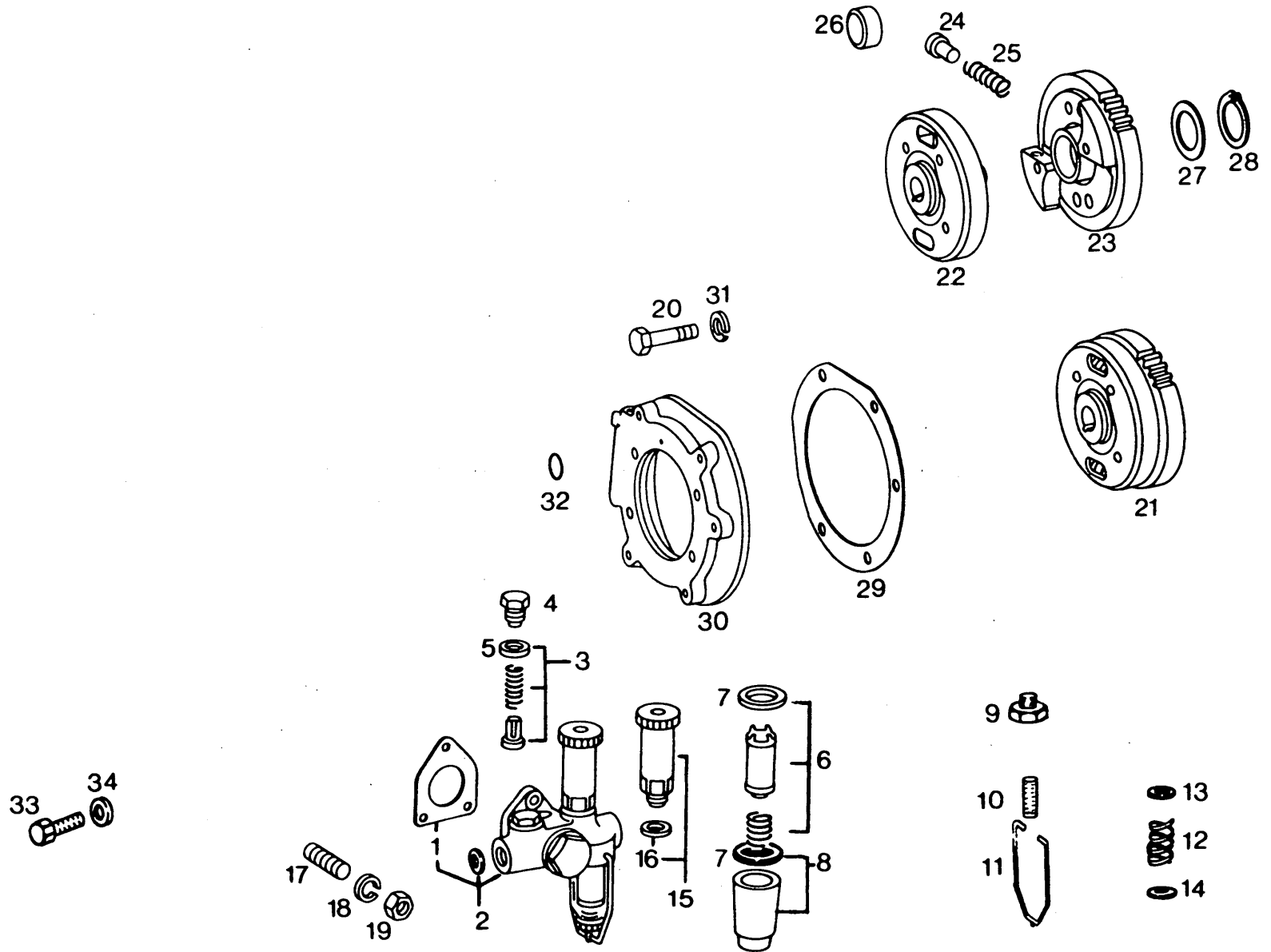
FUEL INJECTION PUMP  
 POMPE D'INJECTION  
 EINSPIZPUMPE  
 POMPA INIEZIONE  
 INJECTIE POMP

Fig.	Mercedes Part no.	Qty.			Description	N.B.
		0 0 0	0 2 1	4 2 1		
36	000 074 09 26	1	1	1	Control rod	
37	000 074 05 46	1	1	1	Bearing shell	
38	006888 004002	1	1	1	Key	
39	000720 030203	1	1	1	Bearing	
40	000 074 31 52	AR	AR	AR	Shim washer	0,10 mm
	000 074 32 52	AR	AR	AR	Shim washer	0,12 mm
	000 074 33 52	AR	AR	AR	Shim washer	0,14 mm
	000 074 34 52	AR	AR	AR	Shim washer	0,16 mm
	000 074 35 52	AR	AR	AR	Shim washer	0,18 mm
	000 074 36 52	AR	AR	AR	Shim washer	0,30 mm
	000 074 37 52	AR	AR	AR	Shim washer	0,50 mm
	000 074 38 52	AR	AR	AR	Shim washer	1,00 mm
41	000720 030204	1	1	1	Bearing	
42	000 074 39 52	AR	AR	AR	Shim washer	0.10 mm
	000 074 40 52	AR	AR	AR	Shim washer	0,12 mm
	000 074 41 52	AR	AR	AR	Shim washer	0,14 mm
	000 074 42 52	AR	AR	AR	Shim washer	0,16 mm
	000 074 43 52	AR	AR	AR	Shim washer	0,18 mm
	000 074 44 52	AR	AR	AR	Shim washer	0,30 mm
	000 074 45 52	AR	AR	AR	Shim washer	0,50 mm
	000 074 50 52	AR	AR	AR	Shim washer	1,00 mm
43	003 997 97 40	1	1	1	Seal ring	
44	001 997 59 40	1	1	1	Seal ring	

AR: As required

GROUP

12



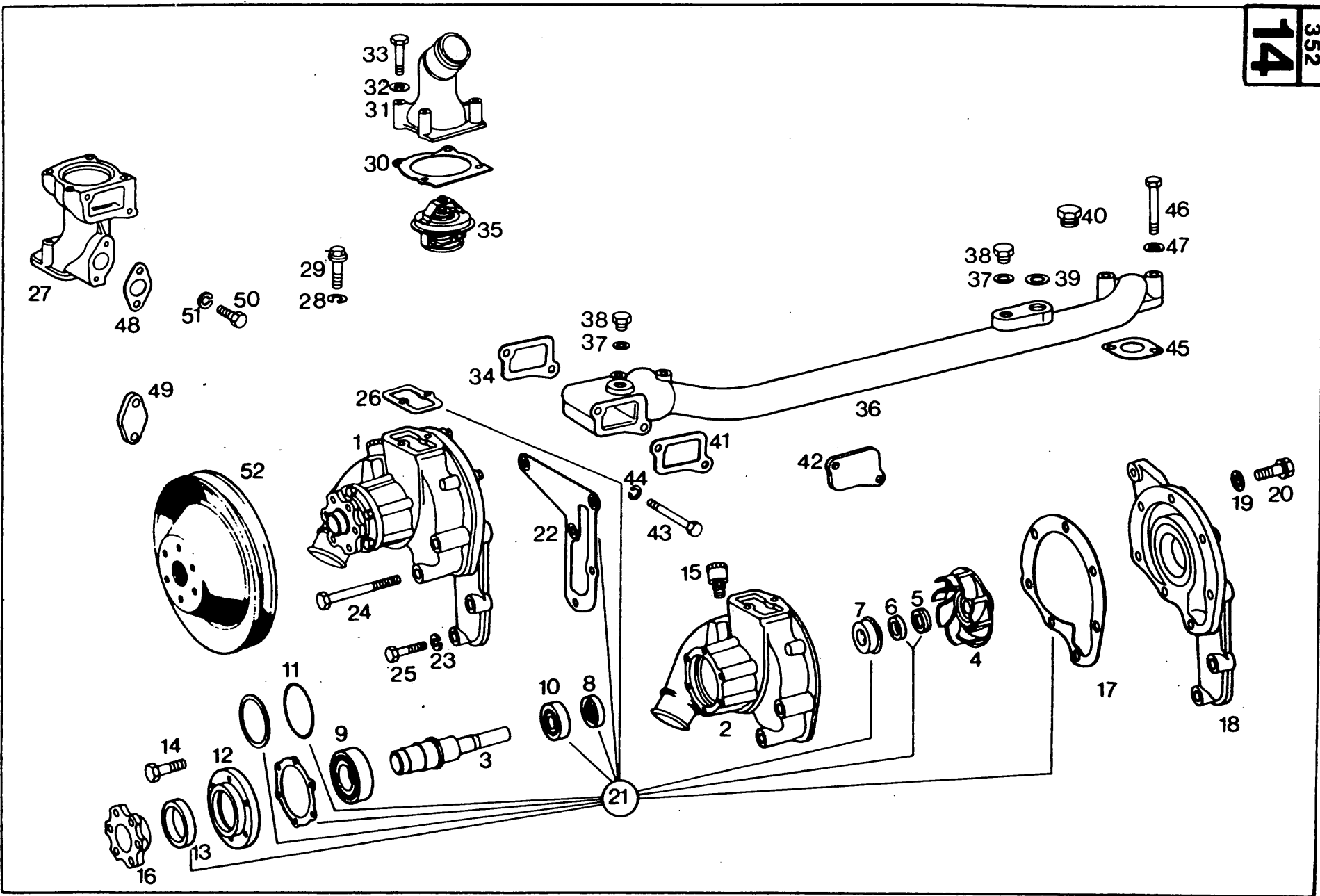
PUMP DRIVE — FUEL LIFT PUMP  
 COMMANDE DE POMPE — POMPE D'ALIMENTATION  
 PUMPE ANTRIEB — KRAFTSTOFFPUMPE  
 POMPA COMANDO — POMPA ALIMENTAZIONE  
 POMP AANDRIJVING — BRANDSTOFFPOMP

Fig.	Mercedes Part no.	Qty.			Description	N.B.
		0 0 0	0 2 1	4 2 1		
1	000 091 12 80	1	1	1	Gasket	
2	000 090 02 50	1	1	1	Fuel lift pump assy.	Incl. fig. 1
3	000 090 02 10	1	1	1	Valve kit	Incl. fig. 5
4	000 997 07 30	1	1	1	Plug	
5	000 997 36 44	2	2	2	Seal ring	
6	000 090 01 51	1	1	1	Filter kit	Incl. fig. 7
7	000 997 00 40	2	2	2	Seal ring	
8	000 091 06 40	1	1	1	Filter housing	Incl. fig. 7
9	000 990 03 57	1	1	1	Nut	
10	000 990 08 05	1	1	1	Stud	
11	000 091 05 41	1	1	1	Clamp	
12	000 993 48 01	1	1	1	Spring	
13	003 997 82 45	1	1	1	Seal ring	
14	002 997 65 40	1	1	1	Seal ring	
15	000 090 00 50	1	1	1	Hand pump	Incl. fig. 16
16	000 997 36 44	2	2	2	Seal ring	
17	000 990 00 05	3	3	3	Stud	
18	912004 006102	3	3	3	Lockwasher	
19	000934 006007	3	3	3	Nut	
20	000931 008061	5	5	5	Screw	
21	352 070 13 45	1	1	1	Injection timing device	Up to eng. no. 470359
	352 070 16 45	1	1	1	Injection timing device	From eng. no. 470360
22	352 070 09 57	1	1	1	Segment plate	Up to eng. no. 470359
23	352 070 09 13	1	1	1	Drive gear	Up to eng. no. 470359
	352 070 11 13	1	1	1	Drive gear	From eng. no. 470360
	352 050 00 04	1	1	1	Drive gear	From eng. no. 470360
24	352 075 02 74	4	4	4	Pin	Up to eng. no. 470359
	352 057 03 74	4	4	4	Spring	Up to eng. no. 470360
25	322 993 03 01	2	2	2	Spring	Up to eng. no. 470359
	352 993 07 01	2	2	2	Spring	From eng. no. 470360
26	322 075 01 35	2	2	2	Balancing weight	Up to eng. no. 470359
	352 075 00 35	2	2	2	Balancing weight	From eng. no. 470360
27	322 075 00 52	1	1	1	Washer	Up to eng. no. 470359
28	000471 034000	1	1	1	Circlip	Up to eng. no. 470359
	352 051 00 62	1	1	1	Washer	From eng. no. 470360
	352 075 00 71	1	1	1	Screw	From eng. no. 470360
	006885 006039	1	1	1	Woodruff key	
29	352 076 02 80	1	1	1	Gasket	By eng. no. 026135
30	322 076 02 35	1	1	1	Support	and no. 026469
31	91200 008102	5	5	5	Lockwasher	
32	002 997 29 45	1	1	1	"O" ring	
33	915036 010100	AR	AR	AR	Hollow screw	
34	007603 014104	AR	AR	AR	Seal ring	

AR: As Required

GROUP

13



50

WATER PUMP — COOLING  
 POMPE A EAU — REFROIDISSEMENT  
 WASSERPUMPE — MOTORKÜHLUNG  
 POMPA ACQUA — RAFFREDDAMENTO MOTORE  
 WATERPOMP — MOTORKOELING

Fig.	Mercedes Part no.	Qty.			Description	N.B.
		0 0 0	0 2 1	4 2 1		
1	352 200 97 01	1	1	1	Water pump	Incl. figs. 22 and 26
2	NS	1	1	1	Housing	
3	352 201 06 05	1	1	1	Shaft	
4	NS	1	1	1	Impeller	
5	000 201 01 97	1	1	1	Sealing collar	
6	000 201 04 63	1	1	1	Sliding ring	
7	000 201 66 19	1	1	1	Seal ring	
8	002 997 84 46	1	1	1	Seal ring	
9	000625 006206	1	1	1	Grooved ball bearing	
10	000625 006203	1	1	1	Grooved ball bearing	
11	005 997 11 45	1	1	1	"O" ring	
12	352 201 05 58	1	1	1	Seal holder	
13	003 997 51 46	1	1	1	Radial seal ring	
14	000931 006107	6	6	6	Screw	
15	000906 010000	1	1	1	Screw plug	
16	352 201 00 39	1	1	1	Hub	
17	352 201 04 80	1	1	1	Gasket	
18	352 201 17 03	1	1	1	Cover	
19	900050 008001	2	2	2	Lockwasher	
20	900170 008007	2	2	2	Hex. cap screw	
21	352 586 02 20	1	1	1	Gasket kit	
22	352 201 12 80	1	1	1	Gasket	
23	912004 010102	5	5	5	Lockwasher	
24	000931 008408	2	2	2	Screw	
25	000931 010306	2	2	2	Screw	M10 x 40
	000931 010304	3	3	3	Screw	M10 x 80
	000931 010111	1	1	1	Screw	M10 x 65
26	352 203 04 80	1	1	1	Gasket	
27	352 203 13 73	1	1	1	Housing	
28	007980 008003	AR	AR	AR	Lockwasher	
29	000931 008408	AR	AR	AR	Screw	M8 x 50
30	352 203 07 80	1	1	1	Gasket	Up to eng. no. 437542
	352 203 16 80	1	1	1	Gasket	From eng. no. 437543
31	314 203 03 74	1	1	1	Cover	
32	000137 006205	4	4	4	Lockwasher	
33	914126 006012	2	2	2	Hex. cap screw	
	914126 006014	2	2	2	Hex. cap screw	
34	352 203 04 80	1	1	1	Gasket	
35	003 203 74 75	1	1	1	Thermostat	71° C
36	352 203 33 01	1	1	1	Water line	
37	007603 014403	2	2	2	Seal ring	
38	007604 014106	2	2	2	Screw plug	

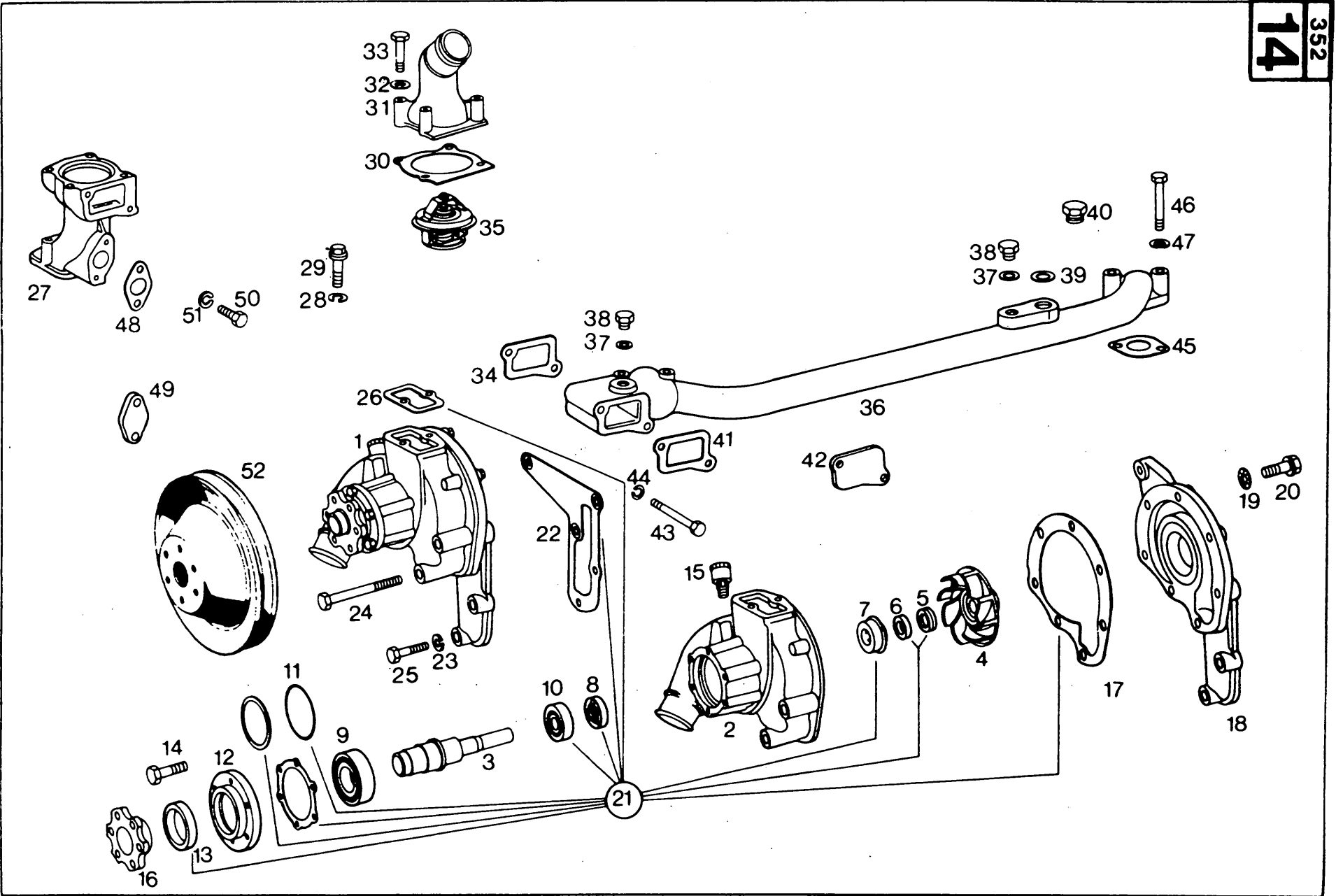
AR: As Required  
 NS: Not Serviced

GROUP

14



52



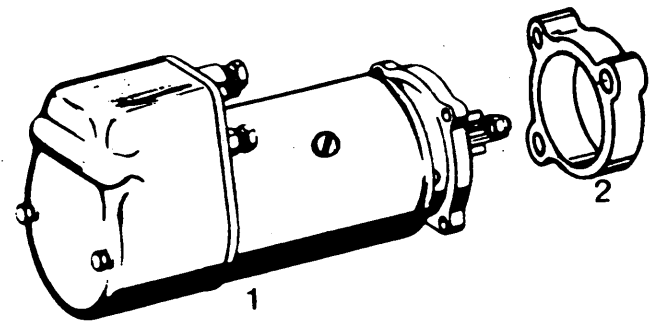
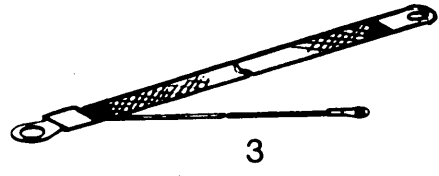
WATER PUMP — COOLING  
 POMPE A EAU — REFROIDISSEMENT  
 WASSERPUMPE — MOTORKÜHLUNG  
 POMPA ACQUA — RAFFREDDAMENTO MOTORE  
 WATERPOMP — MOTORKOELING

Fig.	Mercedes Part no.	Qty.			Description	N.B.
		0	0	4		
		0	2	2		
		0	1	1		
39	007603 018101	AR	AR	AR	Seal ring	
40	007604 018101	1	1	1	Screw plug	
41	352 203 00 80	1	1	1	Gasket	
42	352 203 03 39	1	1	1	Flange	
43	000931 008321	2	2	2	Screw	
44	912004 008102	AR	AR	AR	Lockwasher	
45	352 203 06 80	2	2	2	Gasket	
46	000931 008103	4	4	4	Hex. cap screw	Up to eng. no. 045801
	000931 008061	2	2	2	Hex. cap screw	From eng. no. 045802
	000931 008210	2	2	2	Hex. cap screw	From eng. no. 045802
47	000125 008418	4	4	4	Lockwasher	
48	071511 022004	1	1	1	Gasket	
49	352 203 22 39	1	1	1	Flange	
50	000933 008177	2	2	2	Screw	
51	912004 008102	2	2	2	Lockwasher	
52	352 202 22 10	1	1		"V" pulley	
	014 202 04 10			1	"V" pulley	

AR: As Required

GROUP

14



STARTER MOTOR  
 DEMARREUR  
 ANLASSER  
 MOTORINO D'AVVIAMENTO  
 STARTER

Fig.	Mercedes Part no.	Qty.			Description	N.B.
		0 0 0	0 2 1	4 2 1		
1	003 151 05 01	1	1	1	Starter motor	Bosch no. 0 001 359 084
	000 151 34 15	1	1	1	Armature	
	000 151 80 14	1	1	1	Set carbon brushes	
2	314 151 06 12	1	1	1	Spacer	
	000934 010009	3	3	3	Nut	
3	403 150 08 32	1	1		Earth strap	For alternator

GROUP

**15**

INDEX

MERCEDES Part No.	Group	Fig.	MERCEDES Part No.	Group	Fig.	MERCEDES Part No.	Group	Fig.
000742815	12	9	0000743752	12	40	0009902356	12	20
000941437	3	29	0000743852	12	40	0009902605	3	14
004032719	3	27	0000743952	12	42	0009902647	12	19
0000170517	11	4	0000744052	12	42	0009934801	13	12
0000170916	11	7	0000744152	12	42	0009950135	4	2
0000171174	11	5	0000744193	12	5	0009970040	13	7
0000173652	11	3	0000744252	12	42	0009970730	13	4
0000173752	11	3	0000744352	12	42	0009971342	2	67
0000173852	11	3	0000744452	12	42	0009973440	12	12
0000173912	11	8	0000744552	12	42	0009973644	13	5
0000173952	11	3	0000744671	12	18	0009973644	13	16
0000174052	11	3	0000744693	12	10	0009974248	12	13
0000174152	11	3	0000744927	12	33	0009974930	6	16
0000174252	11	3	0000745052	12	42	0009975472	12	15
0000174352	11	3	0000747122	12	8	0009979641	2	73
0000174452	11	3	0000750126	12	7	0009979641	2	27
0000174552	11	3	0000780129	12	11	0010171512	11	8
0000174652	11	3	0000781335	12	30	0010742602	12	1
0000174752	11	3	0000781435	12	31	0010742602	12	1
0000174852	11	3	0000781469	12	14	0010742602	11	1
0000174952	11	3	0000900050	13	15	0010920201	10	1
0000175052	11	3	0000900151	13	6	0011845825	7	20
0000175152	11	3	0000900210	13	3	0019894520	2	42
0000175252	11	3	0000900250	13	2	0019900488	10	16
0000175352	11	3	0000900298	9	41	0019906551	9	39
0000175452	11	3	0000900598	9	41	0019975940	12	44
0000175552	11	3	0000910541	13	11	0020370219	3	27
0000175652	11	6	0000910640	13	8	0020371219	3	27
0000178621	11	2	0000911280	13	1	0020370319	3	27
0000178721	11	2	0000922708	10	2	0020370419	3	27
0000180180	2	66	0000960370	9	2	0020370519	3	27
0000180702	2	65	0000960470	9	2	0029972945	13	32
0000182935	2	69	0001513415	15	1	0029975590	9	6
0000740149	12	6	0001518014	15	1	0029976540	13	14
0000740480	12	2	0001802065	7	15	0029978446	14	8
0000740515	12	26	0001840154	6	7	0029978472	7	14
0000740546	12	37	0001841161	6	21	0030372618	3	27
0000740722	12	8	0001841471	6	23	0030372618	3	27
0000740829	12	4	0001846380	6	17	0030372718	3	27
0000740910	12	35	0001846580	6	13	0030372818	3	27
0000740926	12	36	0001849380	7	21	0030373118	3	27
0000741771	12	17	0002010197	14	5	0030373118	3	27
0000743050	12	3	0002010463	14	6	0030373218	3	27
0000743152	12	40	0002016619	14	7	0030376718	3	27
0000743252	12	40	0004773580	10	4	0031510501	15	1
0000743352	12	40	0005861609	9	41	0032037475	14	35
0000743452	12	40	0005862009	9	41	0039906001	2	59
0000743552	12	40	0009900005	13	17	0039906101	2	44
0000743652	12	40	0009900357	13	9	0039906101	2	44
0000743684	12	9	0009900805	13	10	0039906201	2	44

GROUP

98

INDEX

MERCEDES Part No.	Group	Fig.	MERCEDES Part No.	Group	Fig.	MERCEDES Part No.	Group	Fig.
0039906301	2	44	3121420112	8	5	3269930401	5	9
0039906301	2	45	3121420212	8	6	3271840280	6	24
0039975146	14	13	3121860080	5	20	3460170160	11	9
0039978245	13	13	3121881135	2	10	3461340001	2	70
0039978245	2	31	3121881335	7	12	3469970130	6	16
0039979740	12	43	3121881479	7	3	3469970445	1	11
0040372719	3	27	3121881579	7	4	3520100019	2	72
0040372819	3	27	3124921080	8	10	3520100168	2	65
0040372919	3	27	3124921211	8	9	3520100416	2	49
0040373019	3	27	3129900251	4	17	3520100513	2	53
0040373918	3	27	3129930005	4	31	3520100621	1	1
0040375119	3	27	3129930025	4	32	3520100766	2	29
0040375119	3	27	3129930701	4	18	3520100880	2	63
0040375219	3	27	3129932601	7	10	3520100969	2	68
0049979548	9	7	3140150120	2	64	3520101735	2	48
0050379016	3	27	3141510612	15	2	3520101833	2	37
0050379016	3	27	3141800555	5	15	3520102072	2	30
0050379116	3	27	3141840056	6	6	3520102180	1	13
0050379216	3	27	3142030374	14	31	3520105930	1	17
0059971145	14	11	3145867203	2	64	3520107530	1	17
0059974045	2	51	3149900166	2	14	3520107620	1	1
0059976948	7	19	3149900363	6	33	3520107972	2	30
0060371616	3	27	3149901001	3	7	3520109208	2	1
0069972548	6	13	3149930201	6	4	3520109513	2	53
0069978547	2	43	3150150522	2	50	3520110135	2	15
0080376618	3	27	3150380072	1	15	3520110171	2	20
0080376618	3	27	3150770151	4	7	3520110217	2	20
0080376618	3	27	3210510112	2	24	3520111610	2	26
0080376818	3	27	3210510112	2	24	3520111810	2	26
0080376918	3	27	3210510116	2	25	3520150001	2	41
0080749102	11	1	3210530705	4	34	3520150201	2	41
0080749102	12	1	3211810042	5	10	3520150320	2	42
0089975482	10	14	3219920025	2	11	3520150380	2	47
0099979382	6	27	3219970630	2	77	3520150520	2	42
0121420001	8	1	3220530125	4	37	3520160421	1	21
0142020410	14	52	3220530420	4	36	3520161320	1	16
0149973382	9	34	3220550150	4	15	3520161520	1	16
1101800355	5	16	3220750052	13	27	3520170053	1	12
1169901140	12	23	3220750135	13	26	3520170071	11	10
1539950220	9	29	3220760235	13	30	3520180180	2	66
1539970230	2	17	3225863603	3	25	3520180380	2	60
1669910055	2	9	3225863703	3	25	3520183082	2	71
3120150580	2	36	3225863803	3	25	3520183482	2	71
3120160061	1	3	3225863903	3	25	3520184216	2	28
3120500231	4	19	3225864003	3	25	3520300024	3	27
3120520601	4	9	3225864103	2	25	3520300219	3	26
3120530127	4	38	3229930301	13	25	3520300224	3	27
3120550171	4	28	3229950022	11	19	3520300319	3	27
3120550321	4	16	3229950848	11	20	3520300419	3	27
3121420012	8	4	3269900163	11	23	3520300424	3	27

GROUP

98

INDEX

MERCEDES Part No.	Group	Fig.	MERCEDES Part No.	Group	Fig.	MERCEDES Part No.	Group	Fig.
3520300519	3	27	3520382450	3	20	3520550253	4	23
3520300740	3	17	3520382510	3	25	3520570374	13	24
3520300840	3	17	3520382550	3	20	3520700235	11	21
3520300940	3	17	3520382610	3	25	3520700913	13	23
3520301040	3	17	3520382771	3	22	3520700957	13	22
3520301140	3	17	3520500004	13	23	3520701113	13	23
3520301240	3	17	3520500004	4	9	3520701113	4	6
3520301345	3	18	3520500085	4	21	3520701345	13	21
3520301475	3	18	3520500634	4	14	3520701645	13	21
3520301475	3	18	3520501033	4	13	3520703233	11	11
3520301503	3	6	3520504401	4	1	3520703333	11	12
3520301645	3	18	3520504901	4	1	3520703433	11	13
3520301745	3	18	3520505501	4	33	3520703533	11	14
3520301845	3	18	3520505501	4	1	3520703633	11	15
3520301945	3	18	3520510010	2	23	3520703733	11	16
3520302045	3	18	3520510062	13	28	3520750035	13	26
3520302145	3	18	3520510062	4	7	3520750071	13	28
3520302245	3	18	3520520003	3	4	3520750071	4	10
3520302345	3	18	3520520762	4	3	3520750274	13	24
3520302445	3	18	3520530032	1	10	3520760280	13	29
3520303402	3	1	3520530096	1	8	3520770014	4	6
3520303405	3	9	3520530101	4	33	3520770412	4	9
3520304002	3	1	3520530132	1	10	3520780080	11	22
3520304219	3	27	3520530232	1	10	3520780086	11	18
3520304319	3	27	3520530296	1	6	3520901334	9	8
3520304920	3	19	3520531229	1	5	3520921040	10	10
3520305802	3	1	3520531329	1	5	3520964299	9	1
3520306819	3	26	3520531429	1	5	3520964399	9	1
3520306919	3	26	3520531505	4	34	3520967199	9	1
3520307019	3	26	3520531529	1	5	3520967799	9	1
3520308419	3	26	3520531532	1	10	3520980280	9	15
3520308819	3	27	3520531631	1	9	3520980980	9	38
3520308919	3	27	3520531632	1	10	3520983128	9	3
3520309019	3	27	3520531731	1	9	3520983239	9	14
3520310071	3	3	3520531831	1	9	3521400053	9	40
3520320012	3	12	3520532030	1	7	3521407109	9	9
3520321105	3	11	3520532130	1	7	3521420280	8	3
3520321715	2	46	3520532230	1	7	3521420280	9	11
3520350018	3	8	3520532330	1	7	3521420912	9	12
3520370420	3	28	3520533531	1	9	3521800060	6	19
3520380572	3	24	3520533631	1	9	3521800060	6	19
3520380710	3	25	3520540205	4	12	3521800088	6	20
3520381771	3	23	3520540501	4	11	3521800109	6	18
3520381871	3	22	3520540601	4	11	3521800143	2	5
3520381971	3	22	3520540701	4	11	3521800209	6	18
3520382110	3	25	3520540801	4	11	3521800211	6	14
3520382210	3	25	3520550010	4	24	3521800260	6	19
3520382271	3	23	3520550110	4	25	3521800315	5	19
3520382350	3	20	3520550186	4	27	3521800440	9	28
3520382410	3	25	3520550210	4	26	3521800472	2	6

GROUP  
**98**

INDEX

MERCEDES Part No.	Group	Fig.	MERCEDES Part No.	Group	Fig.	MERCEDES Part No.	Group	Fig.
3521800865	7	1	3525860018	7	2	000125008418	14	47
3521801138	6	2	3525860220	14	21	000125008418	2	56
3521801140	9	28	3529900163	6	30	000125010518	12	23
3521801311	6	14	3529900619	1	23	000125010518	10	11
3521801410	6	1	3529900704	4	5	000137006205	14	32
3521801610	6	1	3529902040	4	35	000417006001	4	30
3521801738	6	2	3529902201	3	10	000470014000	4	20
3521803722	9	31	3529904201	1	14	000471034000	13	28
3521804420	9	17	3529904201	1	14	000625006203	14	10
3521807001	5	1	3529904301	1	14	000625006206	14	9
3521807020	9	17	3529904401	1	24	000720030203	12	39
3521807501	5	1	3529910560	3	13	000720030204	12	41
3521810010	5	6	3529930701	13	25	000906010000	14	15
3521810106	5	5	3529931001	4	22	000906010000	1	18
3521810206	5	3	3529970032	1	4	000906014000	10	7
3521811106	5	5	3529970320	2	21	000906030003	1	2
3521811108	5	4	3529970540	11	17	000906036000	2	2
3521811206	5	3	3529970540	11	25	000908010002	6	9
3521811220	5	7	3529970730	5	11	000908010002	6	12
3521812105	5	2	3529971130	11	24	000908999005	2	55
3521840171	6	23	3529971230	11	26	000910026000	6	33
3521840329	5	8	3529971382	9	4	000912006004	2	61
3521840908	7	22	3529971571	6	10	000931006107	14	14
3521861301	5	15	3530100108	2	1	000931008049	5	12
3521870080	9	32	3520100108	2	1	000931008049	5	18
3521871640	9	23	3551840032	6	3	000931008054	7	8
3521880002	7	17	3660370118	3	27	000931008061	14	46
3521880032	7	9	3660370518	3	27	000931008061	13	20
3521880780	7	7	3660370518	3	27	000931008061	10	13
3522009701	14	1	3660371719	3	27	000931008061	2	52
3522010039	14	16	3660371719	3	27	000931008086	2	62
3522010480	14	17	3660371819	3	27	000931008103	14	46
3522010558	14	12	4030180106	2	32	000931008136	1	24
3522010605	14	3	4031500832	15	3	000931008210	14	46
3522011280	14	22	4039970032	2	55	000931008314	5	12
3522011703	14	18	4039970230	2	55	000931008321	14	43
3522022210	14	52	4039970432	2	55	000931008326	10	6
3522030080	14	41	6171870180	9	21	000931008408	14	24
3522030339	14	42	00933008212	2	33	000931008408	14	29
3522030480	14	26	90003012103	2	12	000931010069	8	7
3522030480	14	34	91200008102	13	31	000931010089	8	7
3522030690	14	45	000007006100	3	21	000931010089	14	25
3522030780	14	30	000007008117	2	19	000931010282	8	11
3522031373	14	27	000007008117	2	39	000931010304	14	25
3522031680	14	30	000007010228	2	38	000931010306	14	25
3522032239	14	49	000007014208	2	18	000931010346	9	13
3522033301	14	36	000084006120	12	28	000931010355	10	12
3522230341	9	37	000084006197	9	30	000931012061	4	29
3522231141	9	36	000094003022	5	17	000933006007	9	24
3524700092	10	3	000125006421	9	26	000933008068	9	22

GROUP

98



INDEX

MERCEDES Part No.	Group	Fig.	MERCEDES Part No.	Group	Fig.	MERCEDES Part No.	Group	Fig.
000933008177	14	50	007603018101	2	16	915036010100	10	19
000933008177	5	13	007603022102	7	11	915047010100	10	17
000933008177	4	10	007603022402	1	19	915052004005	6	28
000933008215	5	12	007603024106	6	5	915052008000	10	15
000933008215	7	6	007603024303	2	54	916017025000	9	35
000933008215	9	33	007603024305	2	54	916017025000	2	70
000933010174	2	40	007603026100	6	32	916017026000	2	70
000934006007	13	19	007603026100	2	13	916017080000	9	5
000934006007	9	25	007603026100	2	78	917003026000	7	16
000934010009	15	2	007604010102	12	25	999900008004	2	58
000934010009	12	22	007604010102	2	8	999901010000	9	16
000934010014	8	8	007604010102	2	3			
000934010014	8	12	007604014106	14	38			
000938010020	12	21	007604014106	6	35			
000939008083	2	57	007604014106	10	9			
000939010026	9	10	007604014106	2	8			
000939010027	8	2	007604018101	14	40			
000993006121	12	32	007604018101	2	22			
000993008186	7	18	007604022102	1	20			
006885006039	13	28	007980008003	14	28			
006885006039	4	8	007993070100	5	17			
006888003001	12	34	071511022004	14	48			
006888003006	5	21	900050008001	14	19			
006888004002	12	38	900170008007	14	20			
006888006006	4	8	900170010002	12	21			
006888008001	3	5	900170012005	3	16			
007602014104	7	24	900271070007	9	41			
007603006100	12	16	912004006102	13	18			
007603008104	7	5	912004006102	12	29			
007603008109	10	5	912004006102	9	27			
007603008403	1	22	912004008102	14	44			
007603010103	12	24	912004008102	14	51			
007603010103	6	29	912004008102	5	14			
007603010103	6	11	912004008102	4	4			
007603010103	2	4	912004008102	2	34			
007603010103	1	25	912004010102	12	22			
007603010103	2	7	912004010102	14	23			
007603010401	7	13	912004012100	3	15			
007603014102	6	22	914126006012	14	33			
007603014102	6	34	914126006014	14	33			
007603014104	13	34	914126010004	7	23			
007603014104	9	18	914126010005	6	25			
007603014104	10	8	914126010006	6	26			
007603014104	2	7	915001008002	2	35			
007603014106	10	18	915011004103	6	31			
007603014403	14	37	915013004000	7	14			
007603016105	12	27	915013008002	9	20			
007603018101	14	39	915013008002	7	25			
007603018101	6	8	915013008002	9	19			
007603018101	6	15	915036010100	13	33			

GROUP

98

